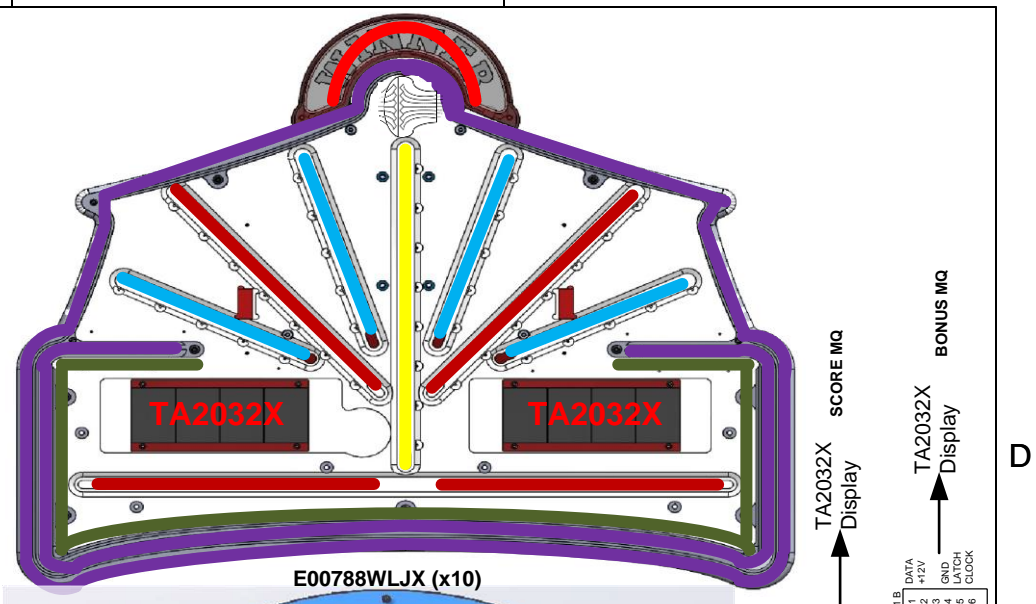
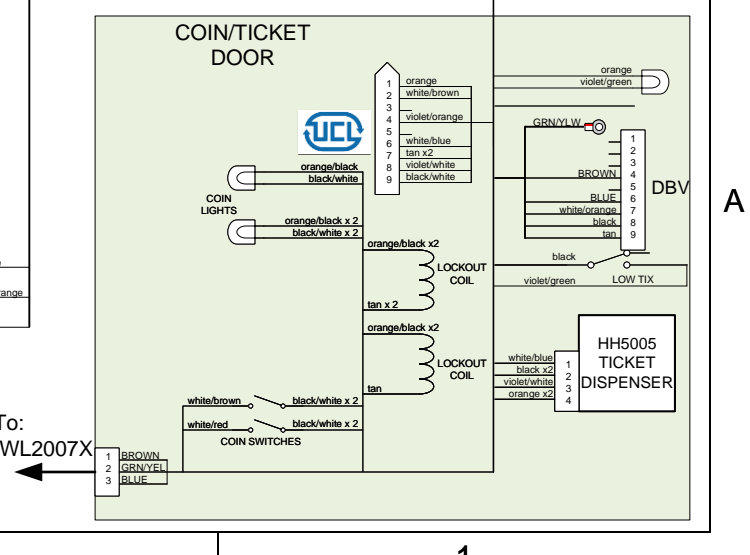
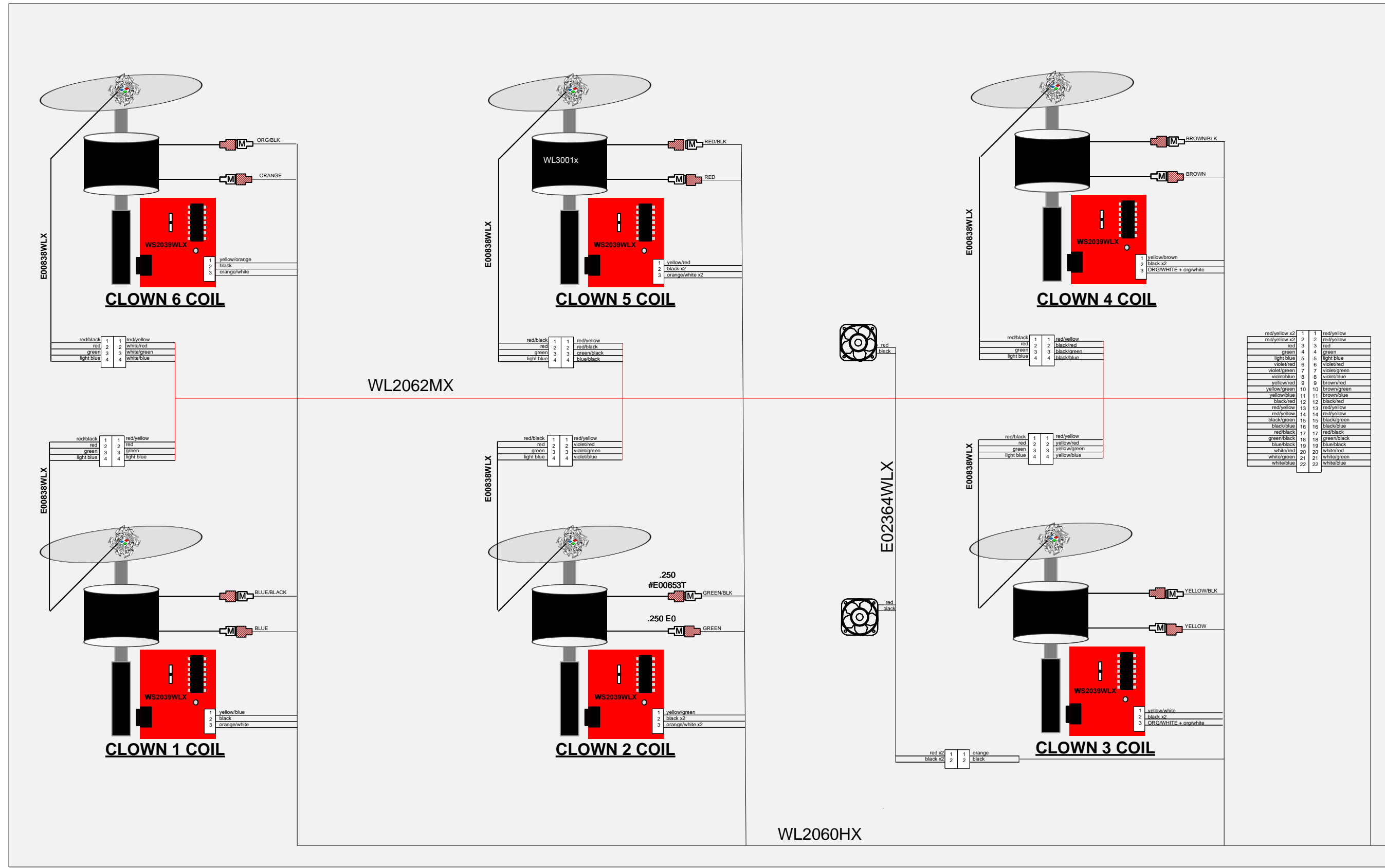


- MARQUEE RGB**  
 (1) E00724WLX
- MARQUEE WHITE**  
 (1) E00788WLX  
 (1) E00788WLCX  
 (2) E00788WLDX  
 (2) E00788WLEX
- MARQUEE RED**  
 (1) E00876WLX
- MARQUEE LED PART NUMBER KEY**

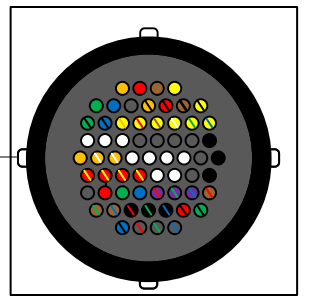


PART NO.	WL1000X	TITLE	Whack A Clown Schematic	REQUIRED SIGNATURES
DESCRIPTION	SYSTEM SCHEMATIC REV 1	FILENAME	WL1000X SCHEMATIC_REV 2.VSDX	ENGINEER <i>IP</i>
DATE	8/20/21	DRAWN BY	IPEACOCK	MANAGER
REVISED	8/20/21	PAGE	1 OF 2	VENDOR





To:  
WL2059MX



PART NO.	COIL BED	TITLE	Whack A Clown Schematic	REQUIRED SIGNATURES	
DESCRIPTION	SYSTEM SCHEMATIC REV 1		FILENAME	WL1000X SCHEMATIC_REV 2.VSDX	
			DRAWN BY	IPEACOCK	
DATE	8/20/21	REVISED	8/20/21	PAGE	2 OF 2
				VENDOR	

4

3

2

1