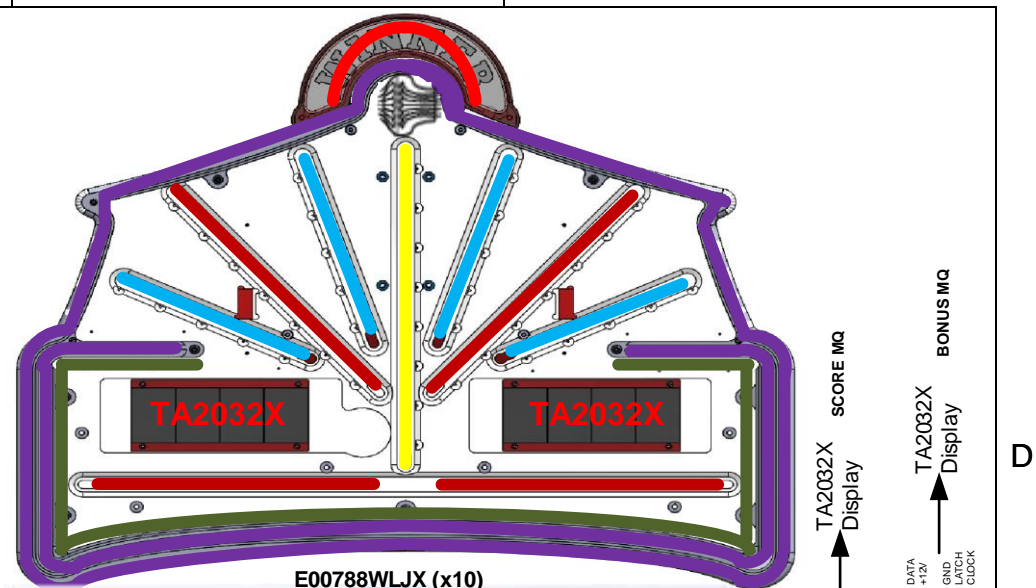


MARQUEE RGB
(1) E00724WLBX

MARQUEE WHITE
(1) E00788WLBX
(1) E00788WLCX
(2) E00788WLDX
(2) E00788WLEX

MARQUEE RED
(1) E00876WLAX

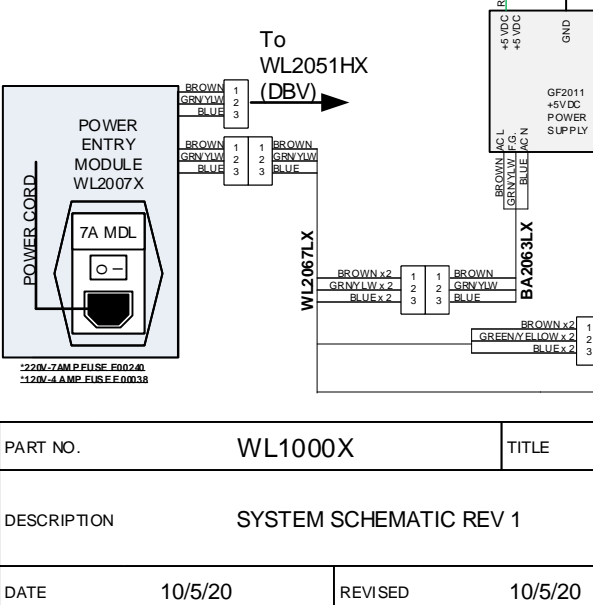
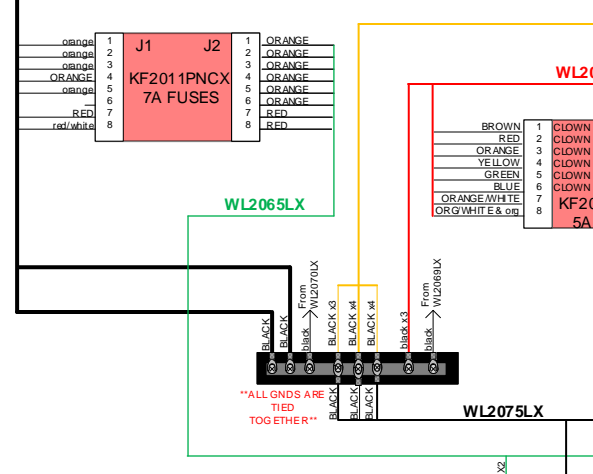
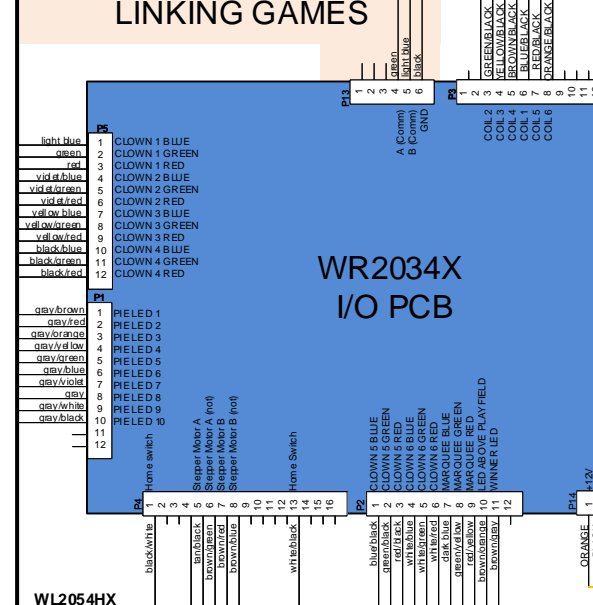
MARQUEE LED PART NUMBER KEY



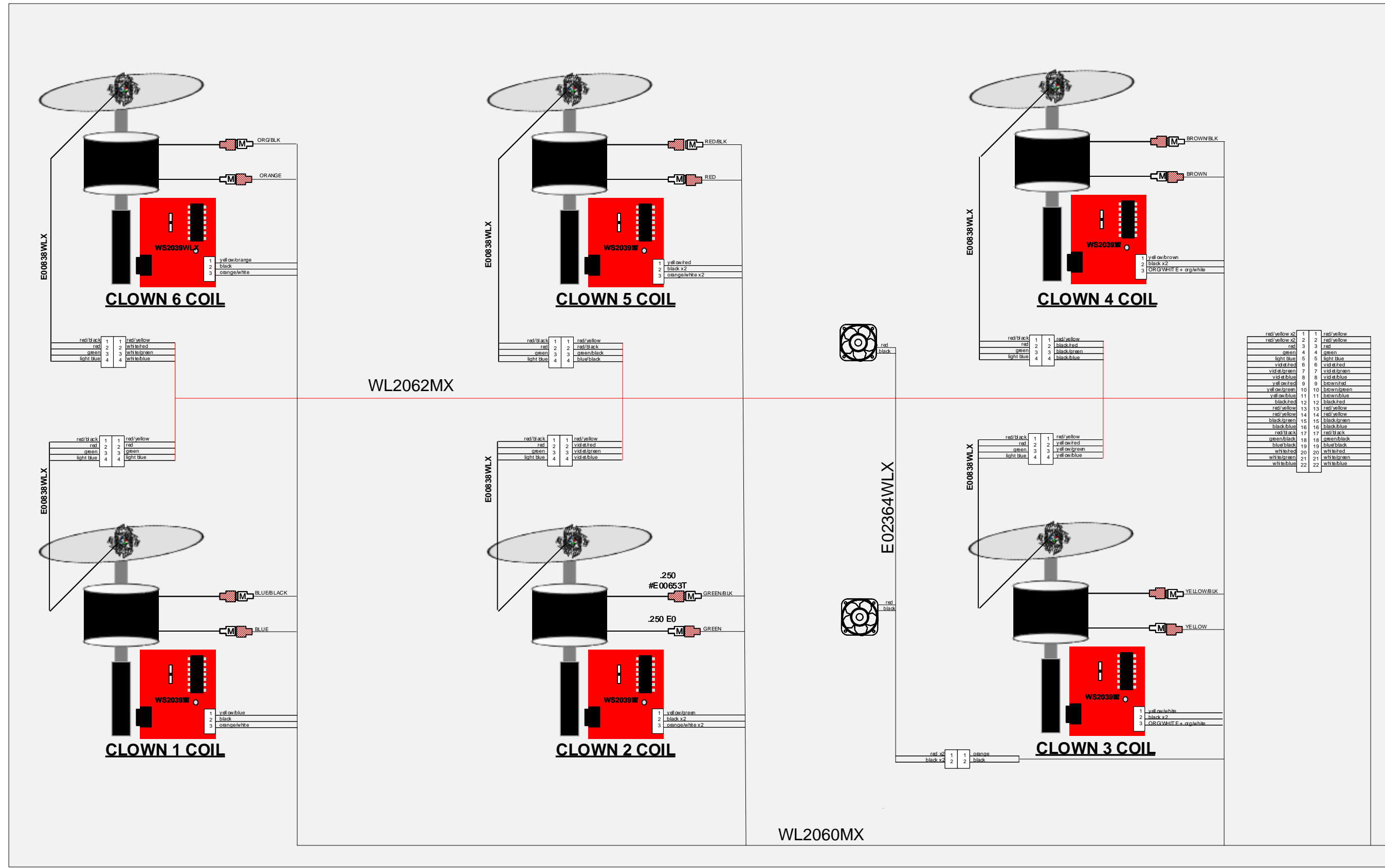
orange	1	orange x2
black	2	black x2
orange	3	orange
black	4	black
orange	5	orange x2
black	6	black x2
orange	7	orange
black	8	black
orange	9	orange x2
black	10	black x2
orange	11	orange
black	12	black
orange	13	orange x2
black	14	black x2
orange	15	orange
black	16	black
orange	17	orange x2
black	18	black x2
orange	19	orange
black	20	black

black/white	1	black/white
white/black	2	white/black
tan/black	3	tan/black
brown/green	4	brown/green
brown/red	5	brown/red
brown/blue	6	brown/blue
orange	7	orange
RED	8	RED
orange	9	orange
BLACK	10	BLACK
gray/brown	11	gray/brown
gray/red	12	gray/red
gray/orange	13	gray/orange
gray/yellow	14	gray/yellow
gray/green	15	gray/green
gray/blue	16	gray/blue
gray/violet	17	gray/violet
gray	18	gray
gray/white	19	gray/white
gray/black	20	gray/black

red	1	red
light blue	2	light blue
light blue	3	light blue
light blue	4	light blue
light blue	5	light blue
light blue	6	light blue
light blue	7	light blue
light blue	8	light blue
light blue	9	light blue
light blue	10	light blue
light blue	11	light blue
light blue	12	light blue
light blue	13	light blue
light blue	14	light blue
light blue	15	light blue
light blue	16	light blue
light blue	17	light blue
light blue	18	light blue
light blue	19	light blue
light blue	20	light blue

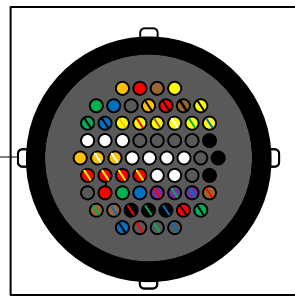


PART NO.	WL1000X	TITLE	Whack A Clown Schematic	REQUIRED SIGNATURES
DESCRIPTION	SYSTEM SCHEMATIC REV 1	FILENAME	WL1000X SCHEMATIC_REV 2.VSDX	ENGINEER <i>IP</i>
DATE	10/5/20	DRAWN BY	IPEACOCK	MANAGER
REVISED	10/5/20	PAGE	1 OF 2	VENDOR



red/yellow x2	1	1	red/yellow
red/yellow x2	2	2	red/yellow
red	3	3	red
green	4	4	green
light blue	5	5	light blue
vid at red	6	6	vid at red
vid at green	7	7	vid at green
vid at blue	8	8	vid at blue
vid at red	9	9	brown/red
vid at green	10	10	brown/green
vid at blue	11	11	brown/blue
black/red	12	12	black/red
red/yellow	13	13	red/yellow
red/yellow	14	14	red/yellow
black/green	15	15	black/green
black/blue	16	16	black/blue
red/black	17	17	red/black
green/black	18	18	green/black
blue/black	19	19	blue/black
wh/td/red	20	20	wh/td/red
wh/td/green	21	21	wh/td/green
wh/td/blue	22	22	wh/td/blue

To:
WL2059MX



PART NO.	COIL BED	TITLE	Whack A Clown Schematic	REQUIRED SIGNATURES
DESCRIPTION	SYSTEM SCHEMATIC REV 1	FILENAME	WL1000X SCHEMATIC_REV 2.VSDX	ENGINEER <i>IP</i>
DATE	10/5/20	DRAWN BY	IPEACOCK	MANAGER
REVISED	10/5/20	PAGE	2 OF 2	VENDOR

4

3

2

1