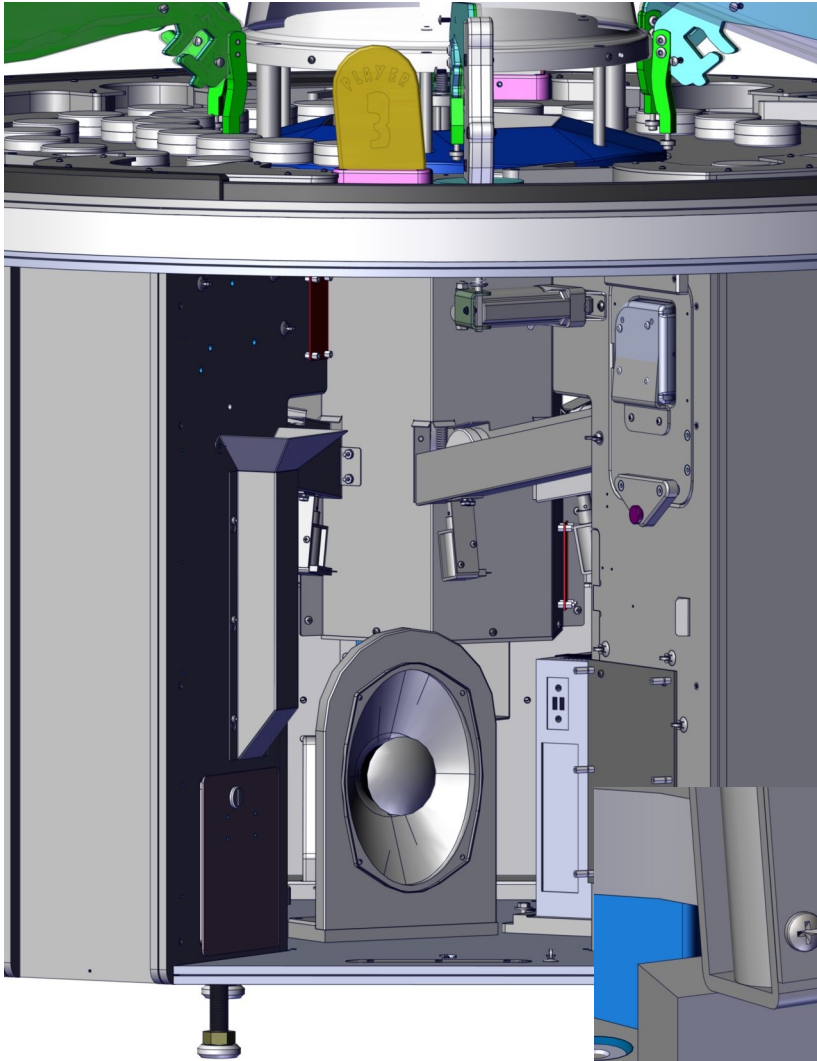


## Accessing the Home Switch on the Auto Filler.

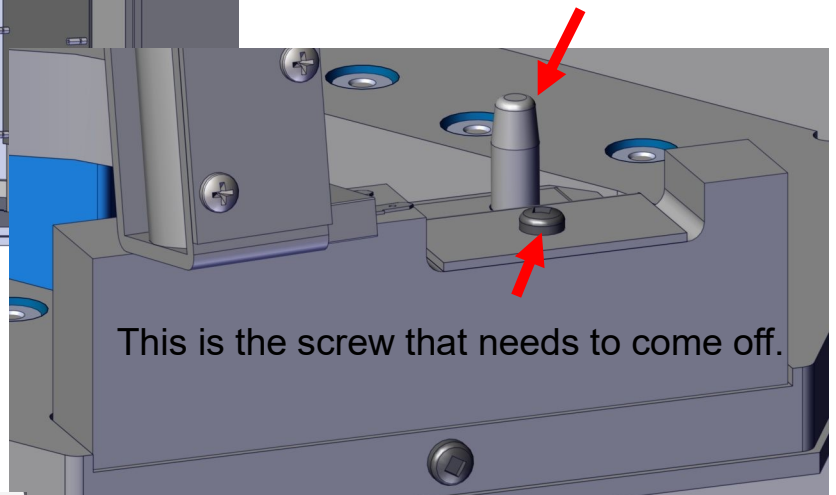


Open Player door 3.

This is the side where the switch is mounted.

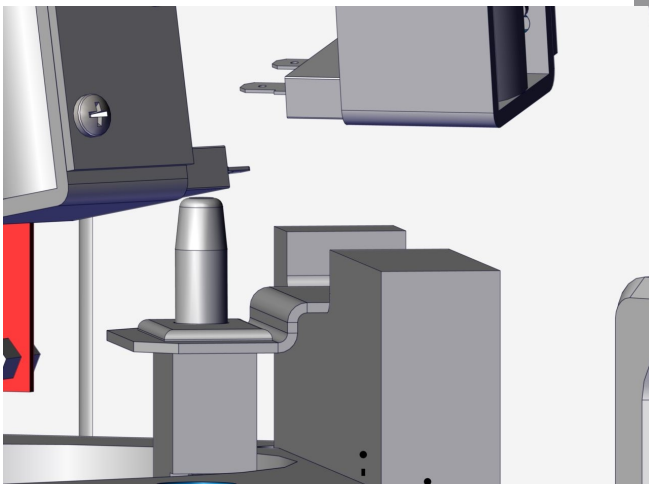
It is inside the metal enclosure, mounted on a block.

The metal shield is invisible so you can see the switch.



This is the screw that needs to come off.

The metal shield is invisible so you can see the switch.



Squeeze the clips on the sides of the switch in and push the switch out.