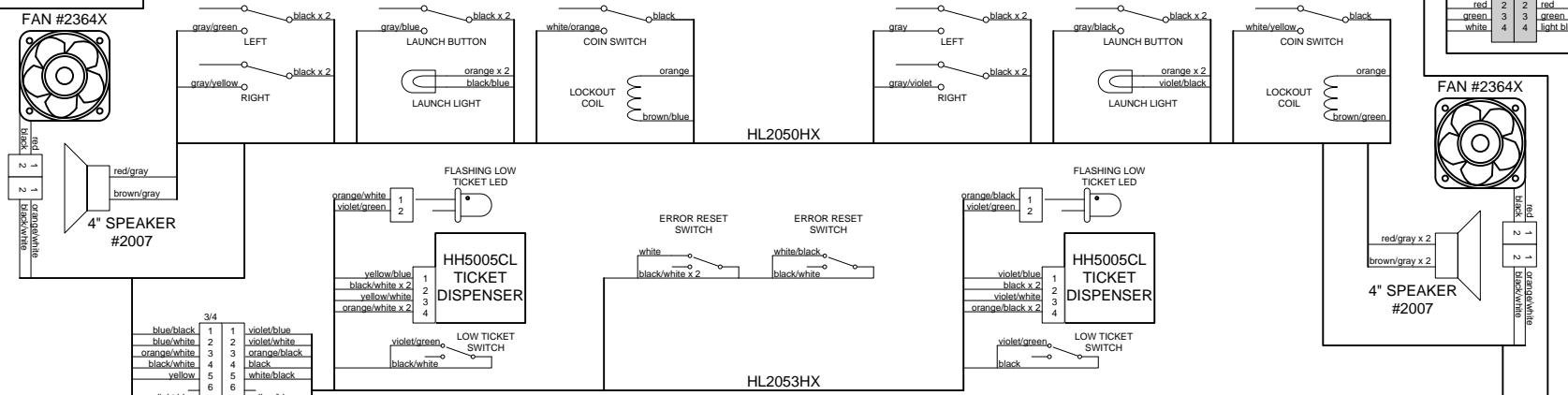


# PLAYER 3

# PLAYER 4

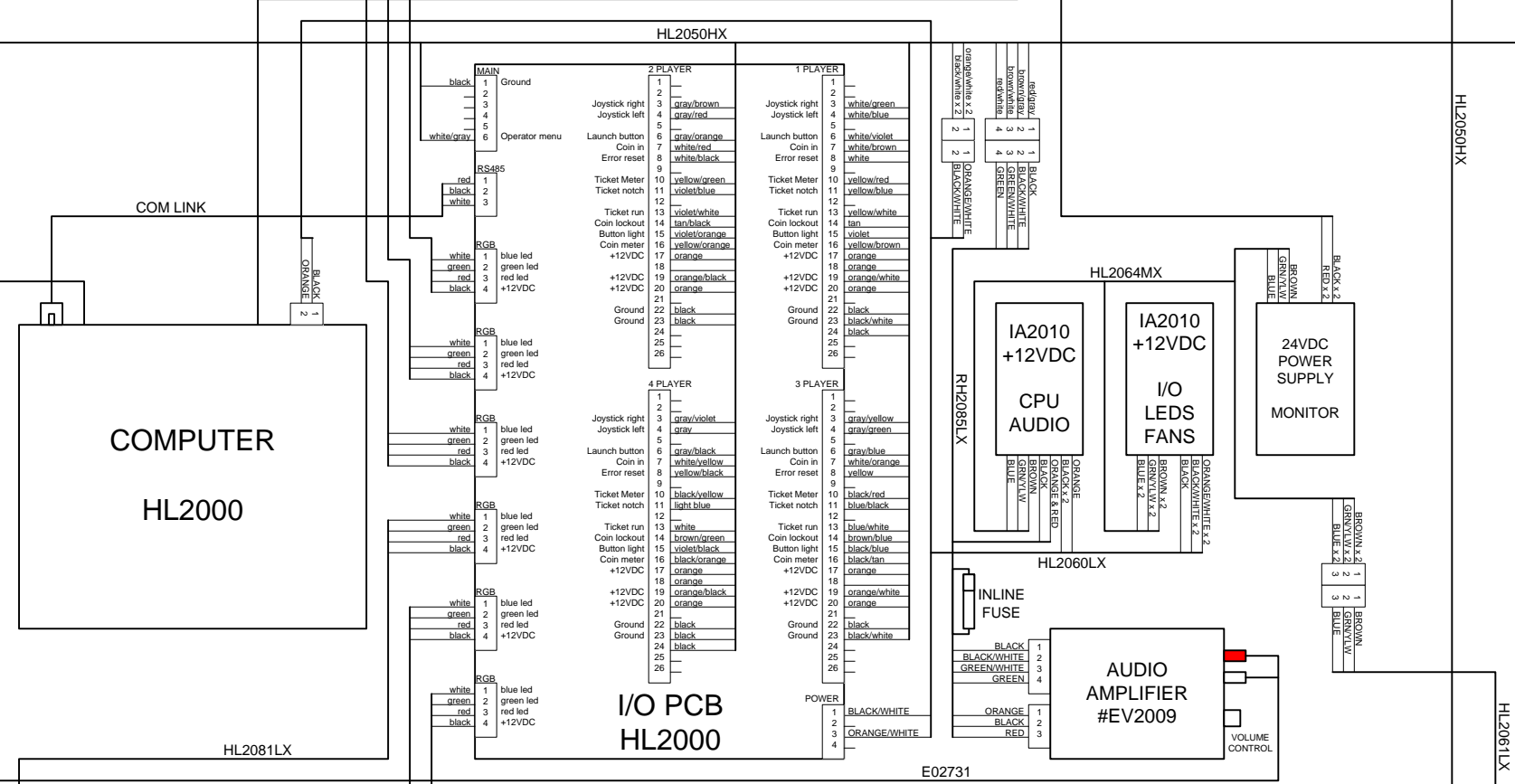
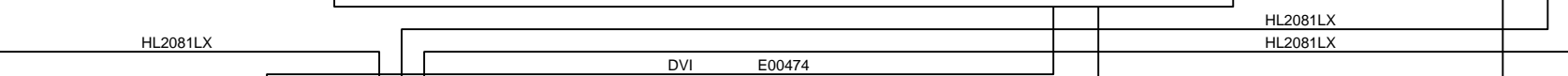


### NOTE FOR 230V:

1. SWITCH SETTING ON IA2010'S FROM 115V TO 230V
2. REPLACE #E00253 BULBS WITH #E00\_\_\_ 230V BULBS
3. REPLACE #E02258 5A FUSE WITH #E02025 2.5A FUSE

## 47' LCD MONITOR MON47EST

PART NO.	HL1000X	TITLE	HL2081LX
DESCRIPTION	SYSTEM SCHEMATIC	FILENAME	SYSTEM ENGINEER
		DRAWN BY	ICEADMIN MANAGER
DATE	1/12/12	REVISED	2/18/13
		PAGE	1 OF 1
		VENDOR	



# PLAYER 1

# PLAYER 2

