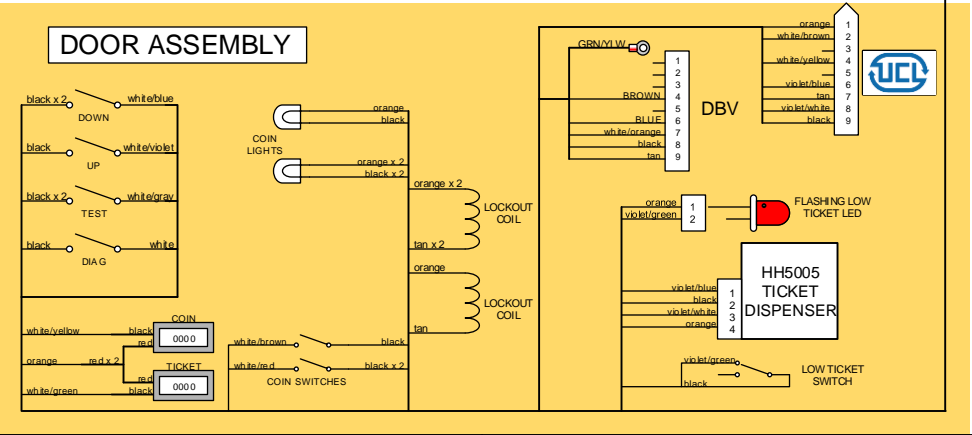


FOR 230V OPERATION:
 SWITCH POWER SUPPLY
 FROM 115V TO 230V
 SWITCH FUSE FROM 7A TO
 3.5A

PART NO.	PN1000X	TITLE	PINK PANTHER	REQUIRED SIGNATURES
DESCRIPTION	SYSTEM SCHEMATIC REV 1	FILENAME	SYSTEM SCHEMATIC.VSD	ENGINEER
DATE	12/3/07	DRAWN BY	AWESTCOTT	MANAGER
REVISED	8/11/15	PAGE	1 OF 1	VENDOR



D

D

C

C

B

B

A

A