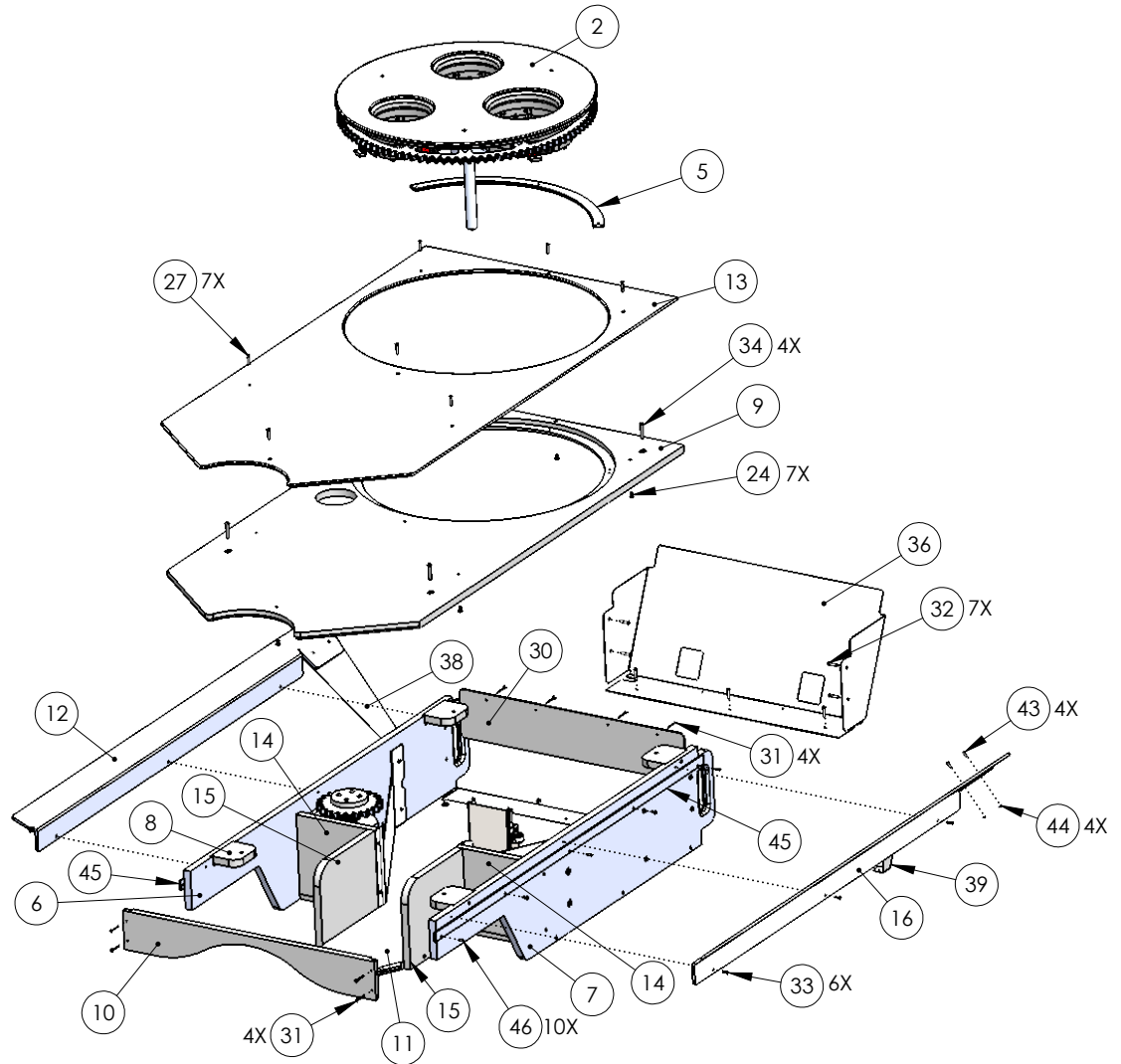
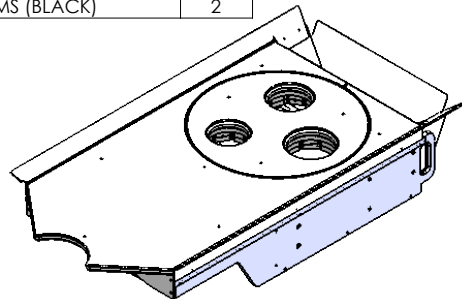


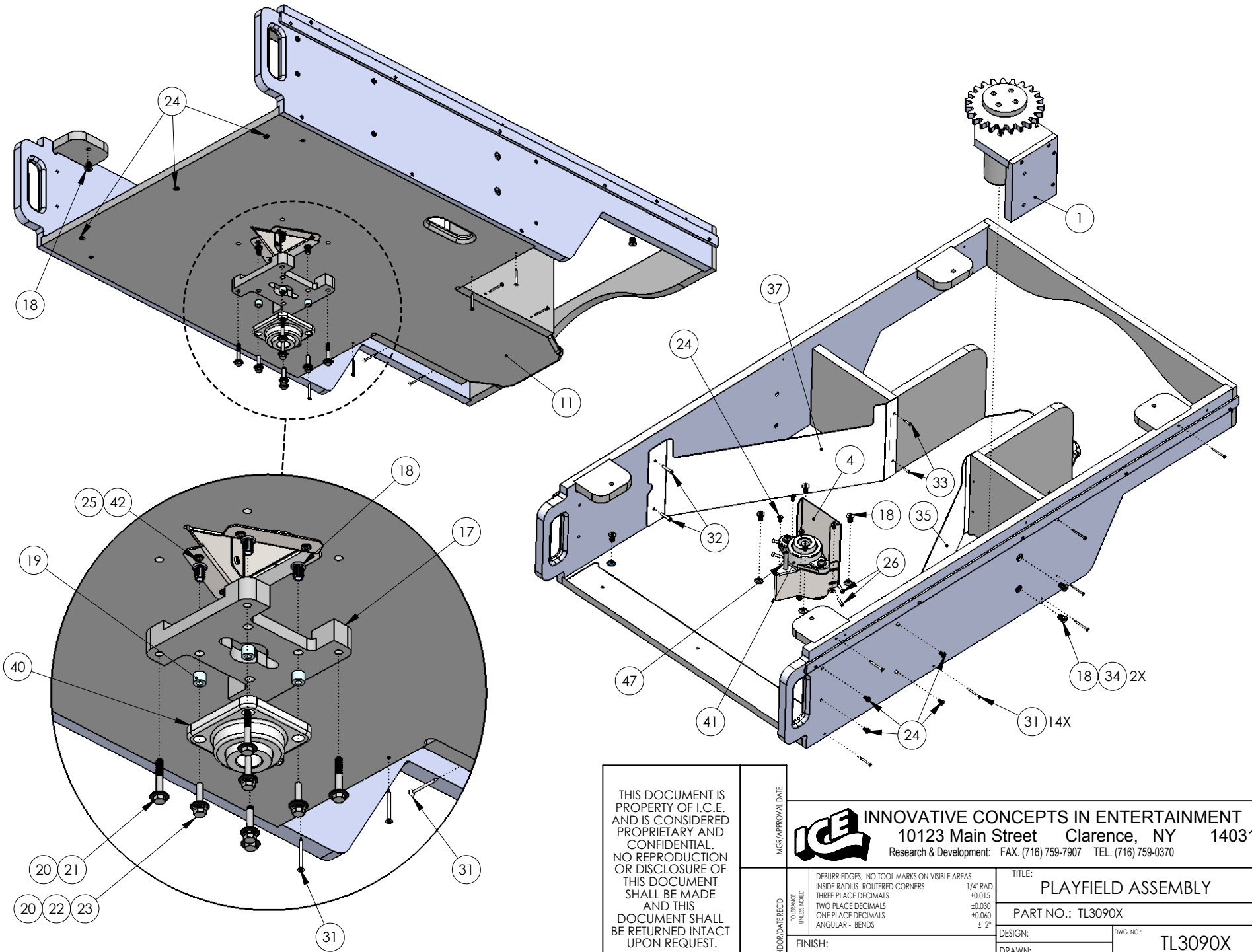
ITEM NO.	PART NUMBER	DESCRIPTION	QTY.
1	TL3030X	MOTOR ASSEMBLY	1
2	TL3081X	CENTER TARGET ASSEMBLY	1
3	TL1020	BAG DEFLECTOR	1
4	TL1041	HARNES COVER	1
5	TL3025	PLAYFIELD TOP SPACER	1
6	TL3090	PLAYFIELD LEFT PANEL	1
7	TL3091	PLAYFIELD RIGHT PANEL	1
8	TL3092	PLAYFIELD SUPT	4
9	TL3026	PLAYFIELD PANEL	1
10	TL3040	PLAYFIELD FRONT	1
11	TL3041	PLAYFIELD BOTTOM	1
12	TL3032	L PLAYFIELD DEFLECTOR	1
13	TL7002M	PLAYFIELD OUTER	1
14	TL3093	PLAYFIELD INNER SUPT	2
15	TL3094	PLAYFIELD FRONT SUPT	2
16	TL3033	R PLAYFIELD DEFLECTOR	1
17	TL3096	MOTOR SUPPORT BRACKET	1
18	PC60631	025-20 CABINET INSERT (J50115)	18
19	AA6569	NYLON SPACER 1/2 OD X 5/16 LEN	4
20	6212	1/4 x 3/4 FLAT WASHER BLACK (USS)	10
21	AA6622	1/4-20 X 1-3/4 HHMB W/ LOCKTITE	4
22	AA6399	5/16" LOCK WASHER	4
23	6194	1/4-20 x 1-1/4" LG. HHMB	4
24	6061	8-32 CAB INSERT (J-50111)	22
25	6158	#6 FLAT WASHER	4
26	AA6250	8-32 X 3/4 SHCS BLACK	4
27	6589	8-32 x .625 PFHMS	7
28	RB2009BMJ	PCBB (RED) TRANSMITTER	1
29	FP2009B -MJ	PCBB (RED) TRANSMITTER (FR4, L	1
30	TL3088	PLAYFIELD BACK COVER	1
31	AA6166	1-1/2 SCREW NUMBER 8 W/NIBS	30
32	AA6177	8-32 X 1 PPHMS	11
33	AA0655	8 X 3/4 SQ.DRIVE (BLACK)	10
34	AA6281	1/4-20 X 1-1/2 BSHCS (BLACK)	6
35	TL1024	L BAG DEFLECTOR	1
36	TL1021	PLAYFIELD BAG CATCHER	1
37	TL1025	R BAG DEFLECTOR	1
38	TL1022	L MISS SENSOR BRACKET	1
39	TL1023	R MISS SENSOR BRACKET	1
40	TL1050	BEARING (BOTTOM)	1
41	TL1051	BEARING (TOP)	1
42	AA6831	8-32 X 3/4 PPHMS	4
43	AA6041	8-32 X 5/8 PEM STUD	4
44	6004a	8-32 KEP NUT	6
45	TL3139	LED CHANNEL PLAYFIELD	2
46	AA6568	6 X 5/8 SELF-TAP	10
47	AA6967	1/4-20 X 5/16 X 1-3/4 SHOULDER BOLT	1
48	AA6799	1/4-20 X 7/8 BSHCS (BLACK) SCREW	2
49	AA6004	8-32 X 1/2 PPHMS (BLACK)	2




THIS DOCUMENT IS PROPERTY OF I.C.E. AND IS CONSIDERED PROPRIETARY AND CONFIDENTIAL. NO REPRODUCTION OR DISCLOSURE OF THIS DOCUMENT SHALL BE MADE AND THIS DOCUMENT SHALL BE RETURNED INTACT UPON REQUEST.

01				9/20/2016
REV.	DESCRIPTION	ECN#	BY	DATE
 INNOVATIVE CONCEPTS IN ENTERTAINMENT 10123 Main Street Clarence, NY 14031 Research & Development: FAX: (716) 759-7907 TEL: (716) 759-0370				
DEBURR EDGES, NO TOOL MARKS ON VISIBLE AREAS INSIDE RADIUS- ROUTED CORNERS 1/4" RAD. THREE PLACE DECIMALS ±0.015 TWO PLACE DECIMALS ±0.030 ONE PLACE DECIMALS ±0.060 ANGULAR - BENDS ± 2°		TITLE: PLAYFIELD ASSEMBLY		MODEL REV: 38
FINISH: MATERIAL:		DWG. NO.: TL3090X		DWG. REV: 01
SCALE: 1:48 TO 'A' SIZE		1 of 2		

PRINT DATE: 12/20/2016 FILE LOCATION: D:\Solidworks Vault\TL3090X Weight: Material <not specified>



THIS DOCUMENT IS PROPERTY OF I.C.E. AND IS CONSIDERED PROPRIETARY AND CONFIDENTIAL. NO REPRODUCTION OR DISCLOSURE OF THIS DOCUMENT SHALL BE MADE AND THIS DOCUMENT SHALL BE RETURNED INTACT UPON REQUEST.

MGR/ APPROVAL DATE		 INNOVATIVE CONCEPTS IN ENTERTAINMENT 10123 Main Street Clarence, NY 14031 Research & Development FAX. (716) 759-7907 TEL. (716) 759-0370	
VENDOR/ DATE RECD	TO TOLERANCE UNLESS NOTED	DEBURR EDGES, NO TOOL MARKS ON VISIBLE AREAS INSIDE RADIUS- ROUTERED CORNERS 1/4" RAD. ±0.015 THREE PLACE DECIMALS TWO PLACE DECIMALS ±0.030 ONE PLACE DECIMALS ±0.060 ANGULAR - BENDS ± 2°	TITLE: PLAYFIELD ASSEMBLY MODEL REV: 38
	FINISH:		PART NO.: TL3090X
	MATERIAL:		DWG. NO.: TL3090X 2 of 2

Weight: Material <not specified>

PRINT DATE: 12/20/2016 FILE LOCATION: D:\Solidworks Vault\TL3090X