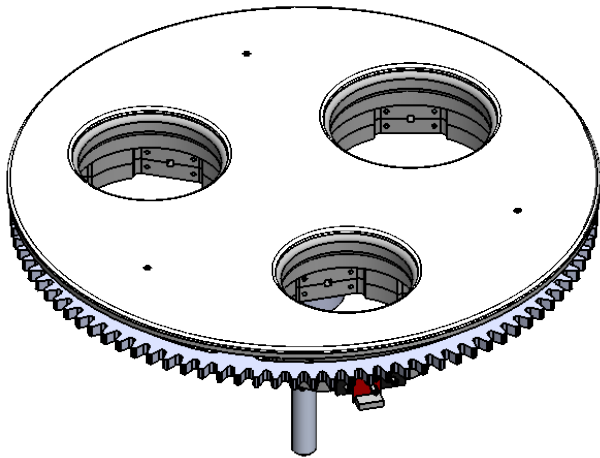
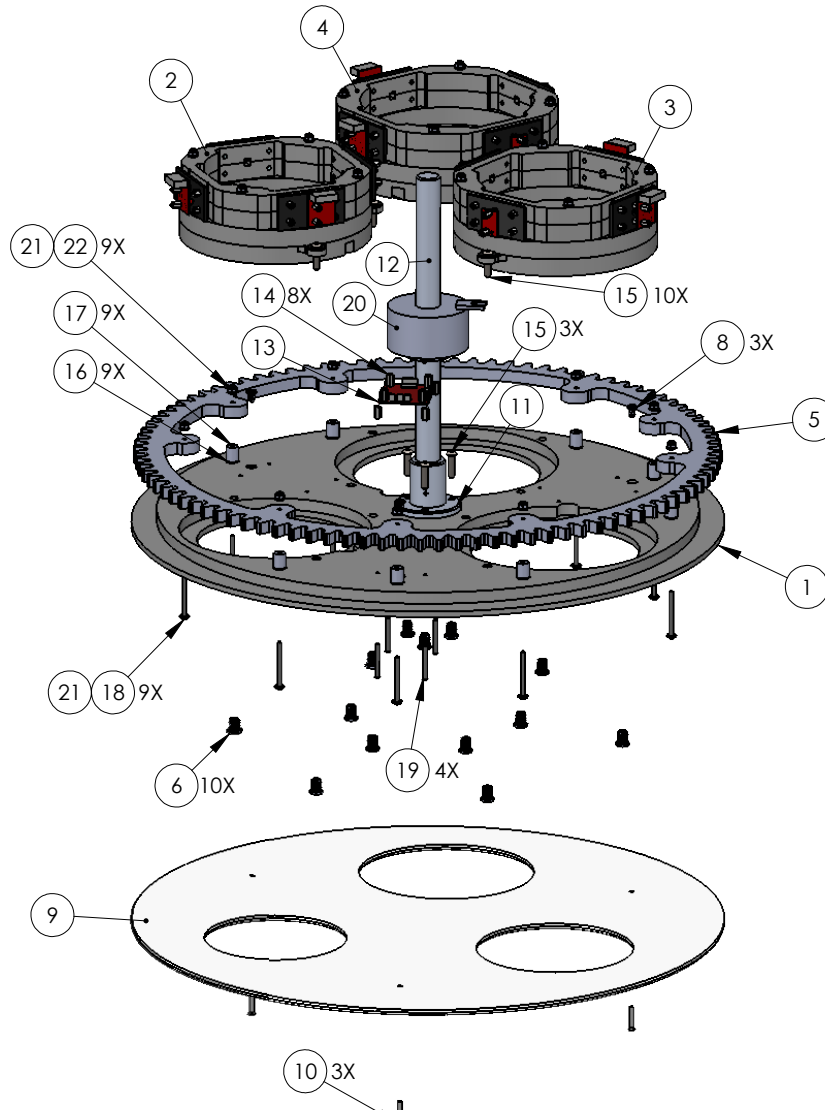



ITEM NO.	PART NUMBER	DESCRIPTION	QTY.
1	TL3038	WHEEL	1
2	TL3035X	SMALL TARGET AREA	1
3	TL3036X	MEDIUM TARGET AREA	1
4	TL3037X	LARGE TARGET AREA	1
5	TL3015	LARGE GEAR	1
6	PC60631	025-20 CABINET INSERT (J50115)	13
7	6212	1/4 x 3/4 FLAT WASHER BLACK (USS)	10
8	6061	8-32 CAB INSERT (J-50111)	3
9	TL7001M	PLAYFIELD CENTER	1
10	6589	8-32 x .625 PFHMS	3
11	TL1015	POLE HUB	1
12	TL1016	WHEEL POLE	1
13	TL2035	PLAYFIELD BOARD	1
14	6446	8-32 x 1/2 HH SPACER	8
15	PC60622	1/4-20 X 1 BHCS (BLACK)	13
16	6020	#10 FLAT WASHER USS (#12 SAE)	9
17	AA6965	8 X 5/8L X 1/2 OD NYLON SPACER	9
18	AA6078	8-32 X 2 PPHMS	9
19	AA6851	8-32 X 1-1/2 PEM STUD 93580A130 25PK	4
20	TL2009	SLIP RING	1
21	6031	#8 FLAT WASHER (ZINC)	18
22	6072	8-32 NYLOCK NUT	9



THIS DOCUMENT IS PROPERTY OF I.C.E. AND IS CONSIDERED PROPRIETARY AND CONFIDENTIAL. NO REPRODUCTION OR DISCLOSURE OF THIS DOCUMENT SHALL BE MADE AND THIS DOCUMENT SHALL BE RETURNED INTACT UPON REQUEST.

01				9/19/2016
REV.	DESCRIPTION	ECN#	BY	DATE
 INNOVATIVE CONCEPTS IN ENTERTAINMENT 10123 Main Street Clarence, NY 14031 Research & Development: FAX: (716) 759-7907 TEL: (716) 759-0370				
DEBURR EDGES, NO TOOL MARKS ON VISIBLE AREAS INSIDE RADIUS- ROUTED CORNERS 1/4" RAD. THREE PLACE DECIMALS ±0.015 TWO PLACE DECIMALS ±0.030 ONE PLACE DECIMALS ±0.060 ANGULAR - BENDS ± 2°		TITLE: CENTER TARGET ASSEMBLY		MODEL REV: 34
PART NO.: TL3081X				
FINISH:		DESIGN: JJM 9/19/2016		DWG. NO.: TL3081X
MATERIAL:		DRAWN: JJM 9/19/2016		01
		SCALE: 1:16 TO 'A' SIZE		1 of 1

Weight: Material <not specified>

PRINT DATE: 12/20/2016 FILE LOCATION: D:\Solidworks Vault\TL3081X