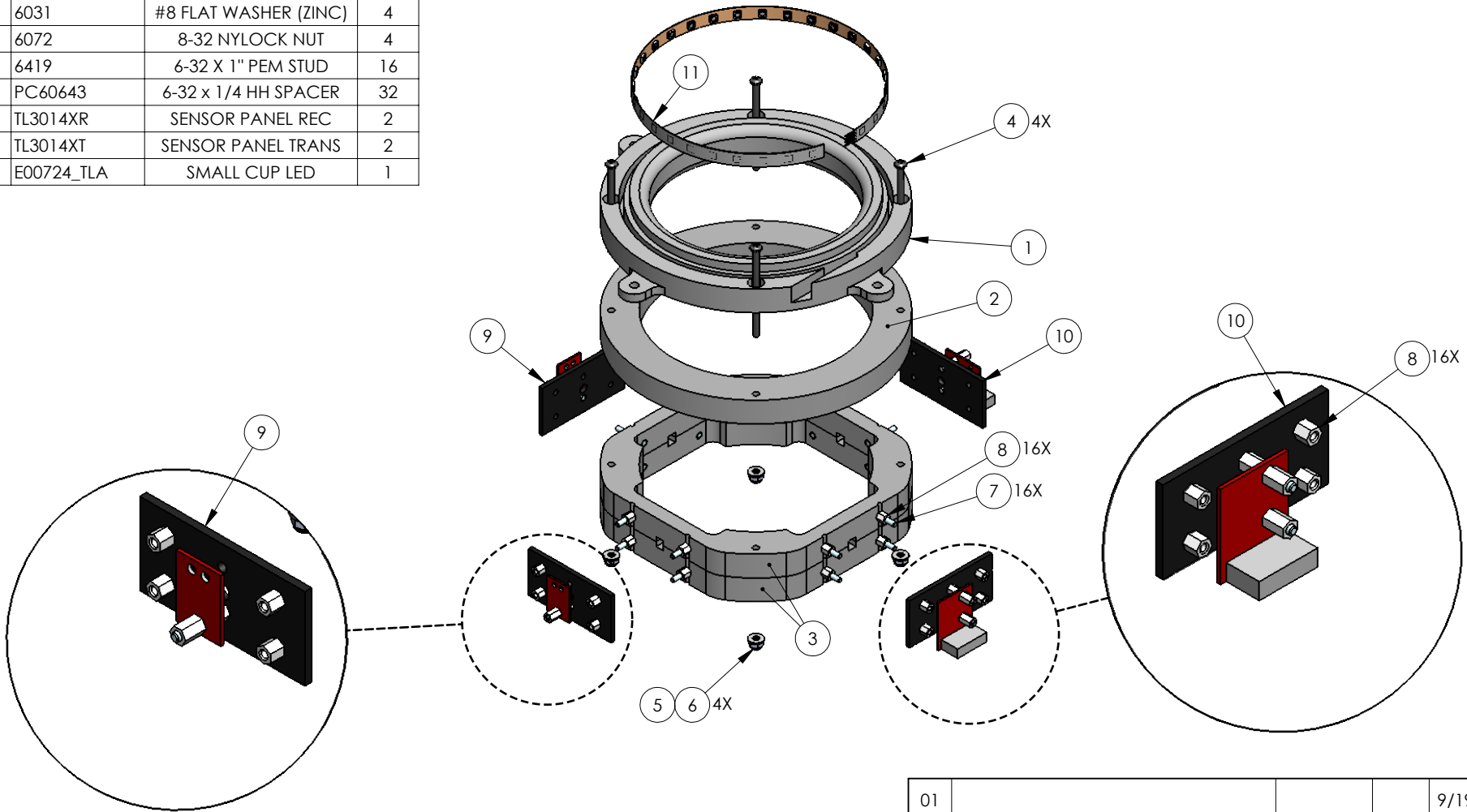


ITEM NO.	PART NUMBER	DESCRIPTION	QTY.
1	TL3035	SMALL RING TOP	1
2	TL3082	SMALL RING MIDDLE	1
3	TL3083	SMALL RING BOTTOM	2
4	AA6770	8-32 X 2-3/4 PRHMS	4
5	6031	#8 FLAT WASHER (ZINC)	4
6	6072	8-32 NYLOCK NUT	4
7	6419	6-32 X 1" PEM STUD	16
8	PC60643	6-32 x 1/4 HH SPACER	32
9	TL3014XR	SENSOR PANEL REC	2
10	TL3014XT	SENSOR PANEL TRANS	2
11	E00724_TLA	SMALL CUP LED	1



NOTES:

1. DEBURR ALL SHARP EDGES AND BREAK ALL SHARP CORNERS.
2. ALL BENDS MIN. RADIUS UNLESS SPECIFIED

01				9/19/2016
REV.	DESCRIPTION	ECN#	BY	DATE
	 INNOVATIVE CONCEPTS IN ENTERTAINMENT 10123 Main Street Clarence, NY 14031 Research & Development: FAX. (716) 759-7907 TEL. (716) 759-0370			
DEBURR EDGES, NO TOOL MARKS ON VISIBLE AREAS INSIDE RADIUS- ROUTED CORNERS 1/4" RAD. THREE PLACE DECIMALS ±0.015 TWO PLACE DECIMALS ±0.030 ONE PLACE DECIMALS ±0.060 ANGULAR - BENDS ± 2°		TITLE: SMALL TARGET AREA		MODEL REV. 11
FINISH:		DESIGN: MV 06/23/16		DWG. NO.: TL3035X
MATERIAL:		DRAWN: MV 06/23/16		1 of 1
SCALE: 1:4 TO 'A' SIZE				

THIS DOCUMENT IS PROPERTY OF I.C.E. AND IS CONSIDERED PROPRIETARY AND CONFIDENTIAL. NO REPRODUCTION OR DISCLOSURE OF THIS DOCUMENT SHALL BE MADE AND THIS DOCUMENT SHALL BE RETURNED INTACT UPON REQUEST.