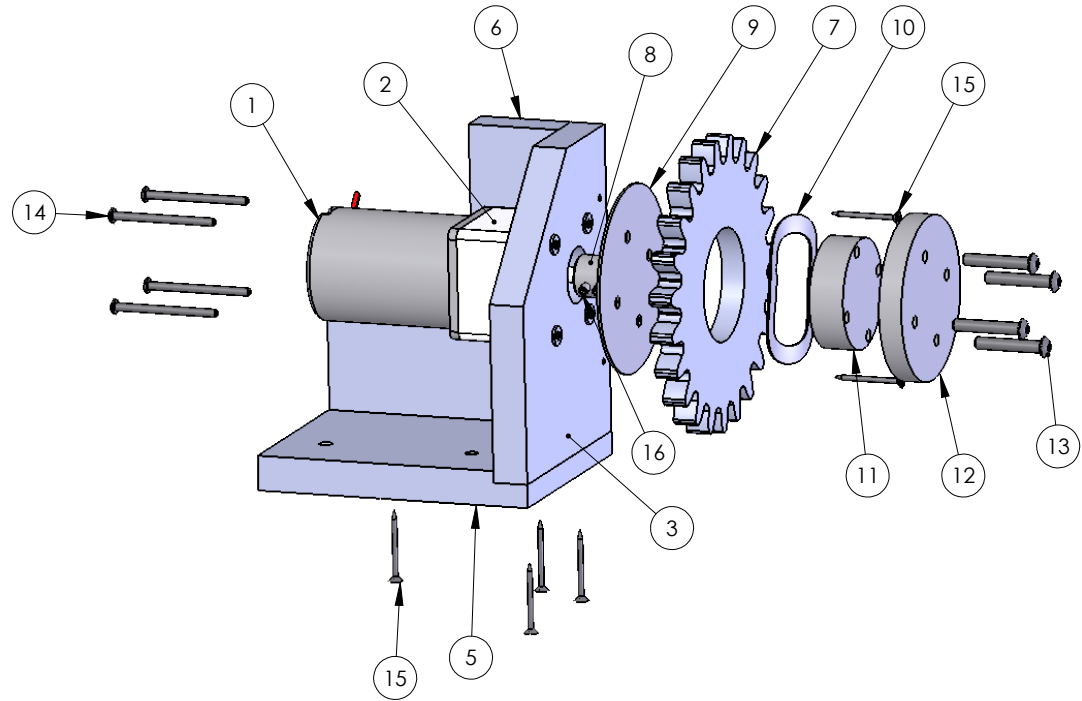


ITEM NO.	PART NUMBER	DESCRIPTION	QTY.
1	GF2008	MOTOR 15W/12V (SD615-12A)	1
2	TL2008A	GEARBOX	1
3	TL3030	MOTOR TOP	1
4	6061	8-32 CAB INSERT (J-50111)	4
5	TL3031	MOTOR SIDE	1
6	TL3034	MOTOR FRONT	1
7	TL3016	MOTOR GEAR	1
8	GF1052	WHEEL HUB	1
9	TL1053	DRIVE GEAR PLATE	1
10	AA6964	WAVE WASHER 2.37 ID	1
11	TL3021	HUB SPACER	1
12	TL3020	SPRING HUB	1
13	AA6281	1/4-20 X 1-1/2 BSHCS (BLACK)	4
14	AA6703	8-32 X 2-1/4 PPHMS (SCREW)	4
15	AA6166	1-1/2 SCREW NUMBER 8 W/NIBS	6
16	6384	SET SCREW CUP SKT 0.19-32x0.5	2



THIS DOCUMENT IS PROPERTY OF I.C.E. AND IS CONSIDERED PROPRIETARY AND CONFIDENTIAL. NO REPRODUCTION OR DISCLOSURE OF THIS DOCUMENT SHALL BE MADE AND THIS DOCUMENT SHALL BE RETURNED INTACT UPON REQUEST.

01				10/26/2016
REV.	DESCRIPTION	ECN#	BY	DATE
 INNOVATIVE CONCEPTS IN ENTERTAINMENT 10123 Main Street Clarence, NY 14031 Research & Development: FAX. (716) 759-7907 TEL. (716) 759-0370				
MGR/DATE/REVCD	DEBURR EDGES, NO TOOL MARKS ON VISIBLE AREAS	TITLE: MOTOR ASSEMBLY		MODEL REV: 15
	INSIDE RADIUS- ROUTED CORNERS 1/4" RAD.	PART NO.: TL3030X		
VENDOR/DATE/REVCD	THREE PLACE DECIMALS ±0.015	DESIGN:	DWG. NO.: TL3030X	
	TWO PLACE DECIMALS ±0.030	DRAWN:	1 of 1	
	ONE PLACE DECIMALS ±0.060	FINISH:	01	
	ANGULAR - BENDS ± 2°	MATERIAL:	SCALE: 1:4 TO 'A' SIZE	

Weight: Material <not specified>

PRINT DATE: 12/20/2016 FILE LOCATION: D:\Solidworks Vault\TL3030X