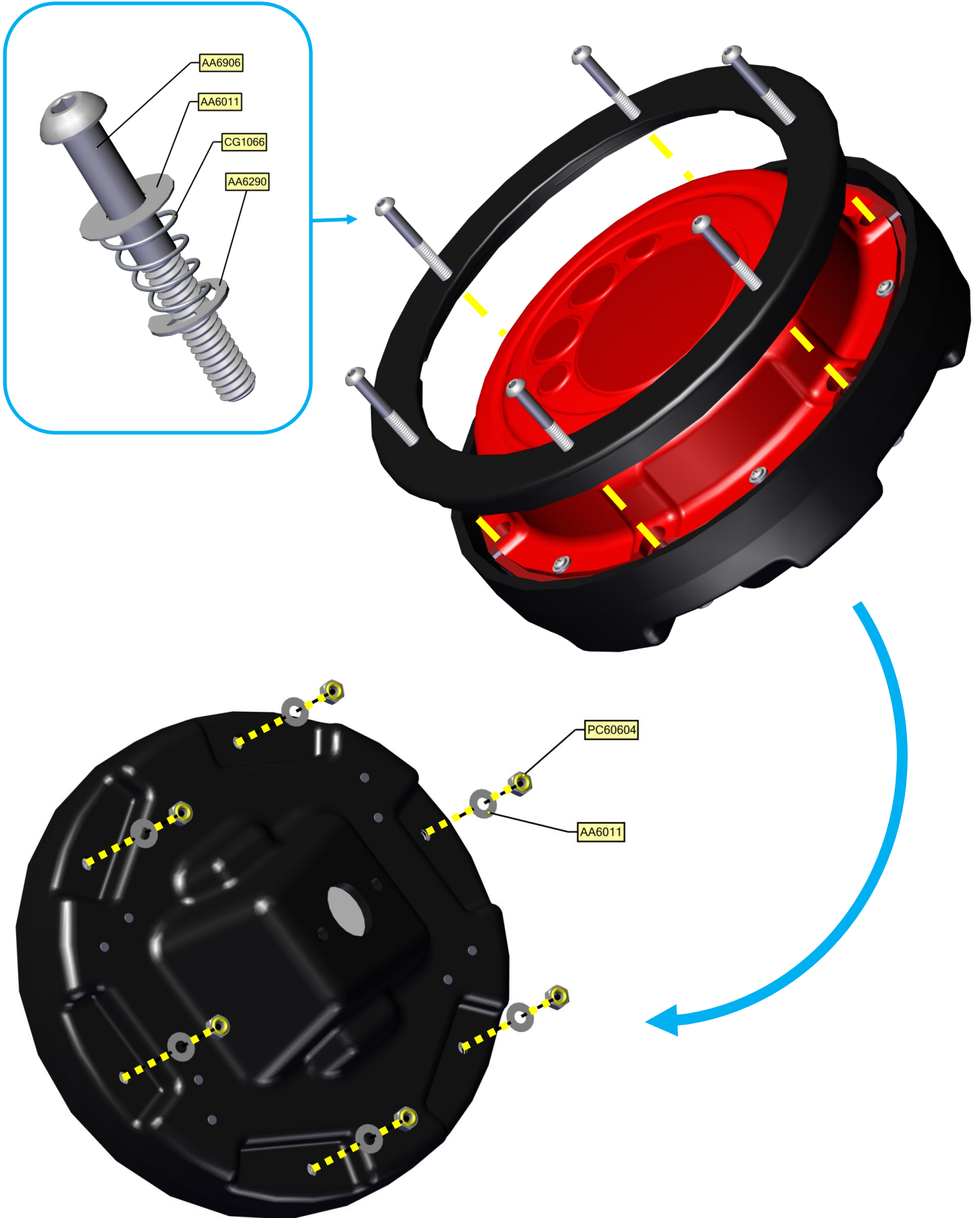
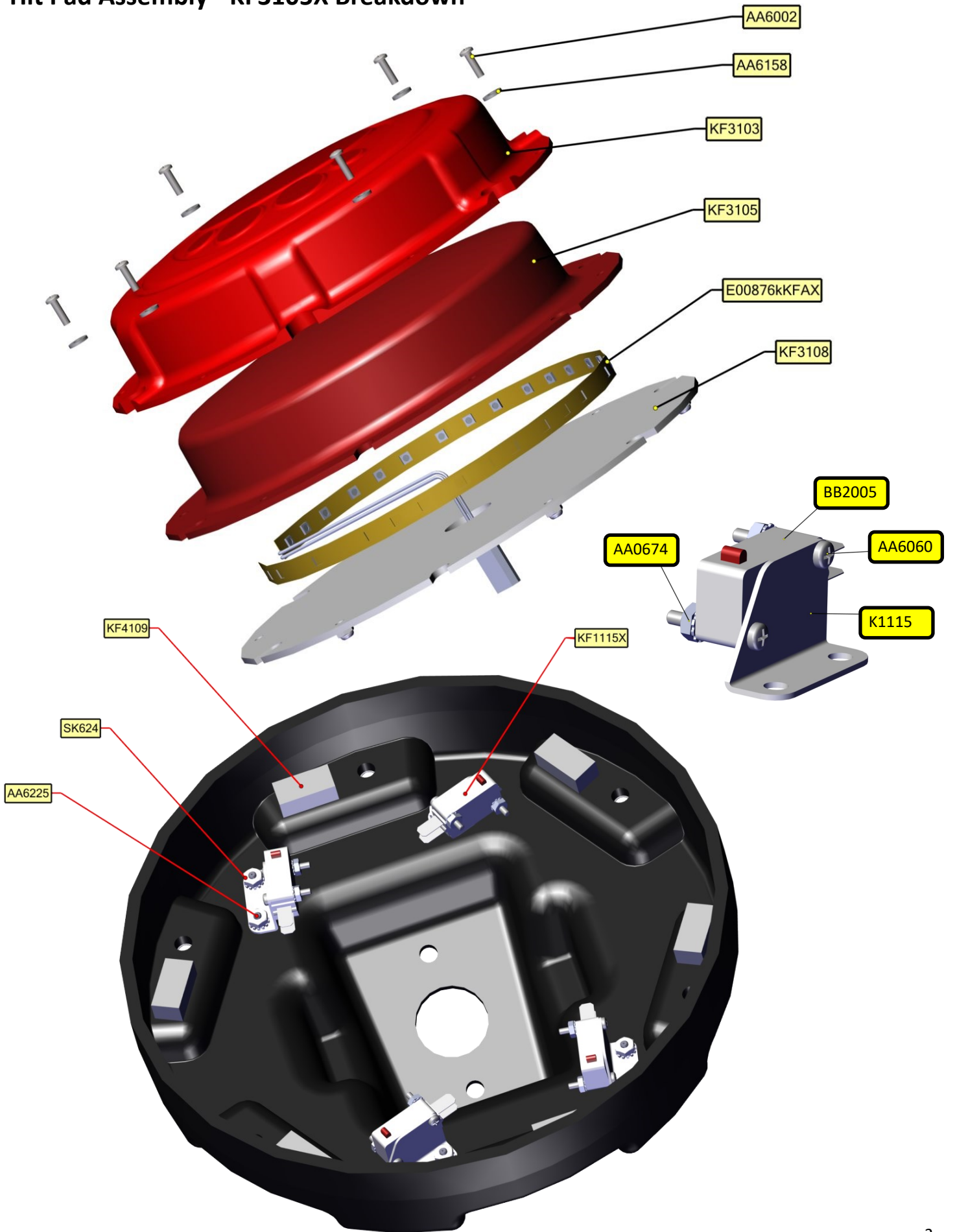


# Hit Pad Assembly - KF3105X Breakdown



# Hit Pad Assembly - KF3105X Breakdown



## Spare Parts:

### LED's:

E00724KFCX	ASY (RGB 24 LED TAPE STRIP)
E00724WNX	ASY (RGB 27 LED TAPE STRIP)
E00788KFBX	ASY (WHITE LARGE 30 LED TAPE STR)
E00788KFCX	ASY (WHITE LARGE 78 LED TAPE STR)
E00877KFAX	ASY (GREEN LARGE 75 LED TAPE STR)
E00877KFBX	ASY (GREEN LARGE 42 LED TAPE STR)
E00788KFAX	ASY (WHITE LARGE 189 LED TAPE ST)
E00788KFCX	ASY (WHITE LARGE 78 LED TAPE STR)
E00724KFDX	ASY (RGB 192 LED TAPE STRIP)

### Cosmetics:

AA0208	T-molding (3/4 Red)
KF7107	DECAL (FRONT CABINET TICKET)
KF7112	DECAL (CONTROL PANEL)
KF7113	REAR BACKGROUND (MAT/PRINT)
KF7120	DECAL (100 TICKETS)
KF7122	DECAL (250 TICKETS)
KF7123	DECAL (500 TICKETS)
KF7125	DECAL (1000 TICKETS)
KF7130	DRAGON (MAT/PRINT)
KF7131	DECAL (ROOF FRONT)
KF7132	DECAL (ROOF SIDE)
KF7170	DECAL (FRONT CABINET LEFT)
KF7171	DECAL (FRONT CABINET RIGHT)
KF7190	PLAQUE (MAT/PRINT)

### Hardware and Electronics:

PE1350	DRAWER SLIDE 18
E02111	RELAY SOLID STATE (SVDA/3V10)
BX2034X	PCBA MAIN I/O RIO
KF2010	POWER SUPPLY +12VDC 50A (ROHS)
PE2010X	PCBA (5V REGULATOR)
KF3125	MONITOR BEZEL
KF3127	MONITOR COVERGLASS
MON47EST	MONITOR (47 INTELLIGENT PANEL)
AR2007	Speaker 6x9
DJ2007	Speaker 6" Woofer 4 ohm
E08995X	PCBA (RGB LED DRIVER)
KF2000X	ASY COMPUTER W/POWER ADAPTER
KF2007X	ASY (POWER MODULE 6 AMP)
KF3120X	ASY (IO/MAIN BOARD PANEL)
E02364X	Fan assembly
KF1115X	Hit button assembly button.