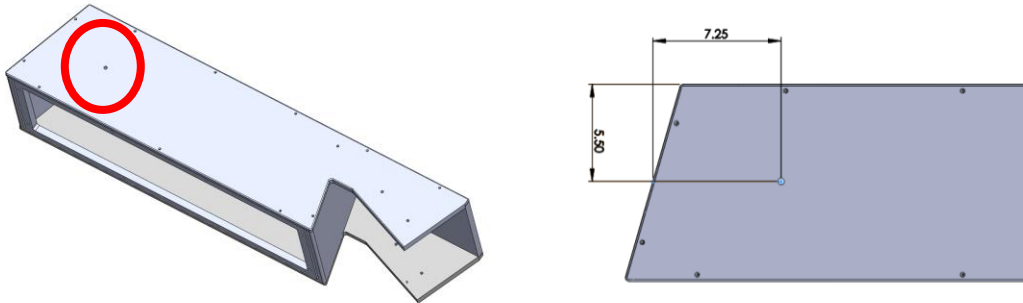


DODGEBALL ULTIMATE ARENA

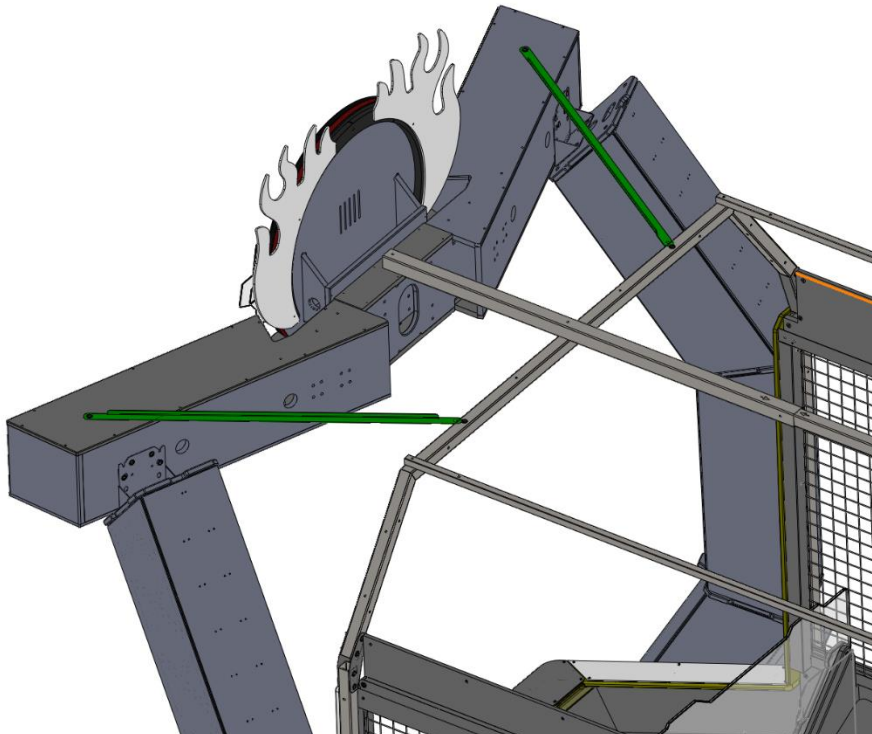
Stabilizer Bar & Wire Shroud Installation



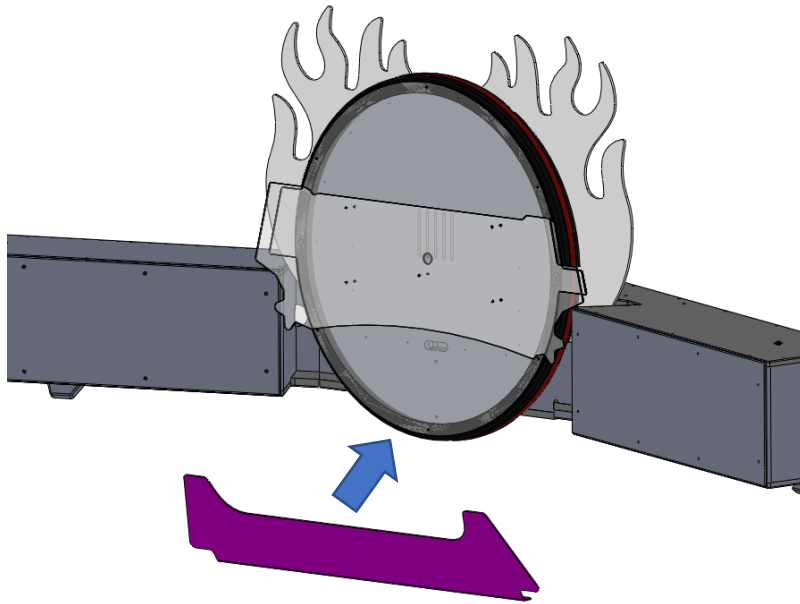
Drill $\varnothing 1/4"$ hole (both sides) approximately $5\text{-}1/2"$ from back, $7\text{-}1/4"$ from end:



Attach Bars to existing frame holes using $1/4"$ x $2\text{-}1/2"$ lg hardware and washers:



Attach Wire Shroud beneath Marquee with 3x Square Drive Screws:



Attach Lower Wire Shrouds behind "Towers" with 3x Square Drive Screws:

