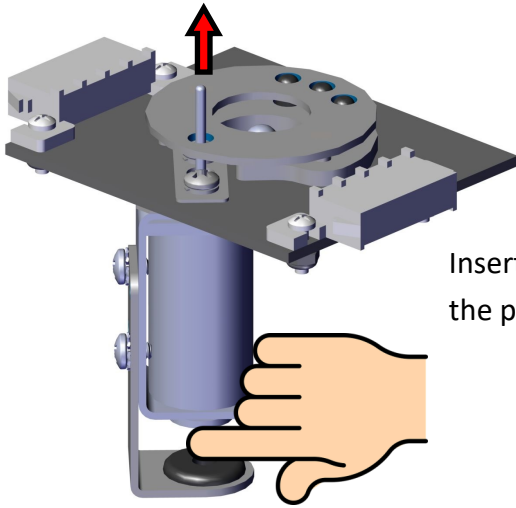
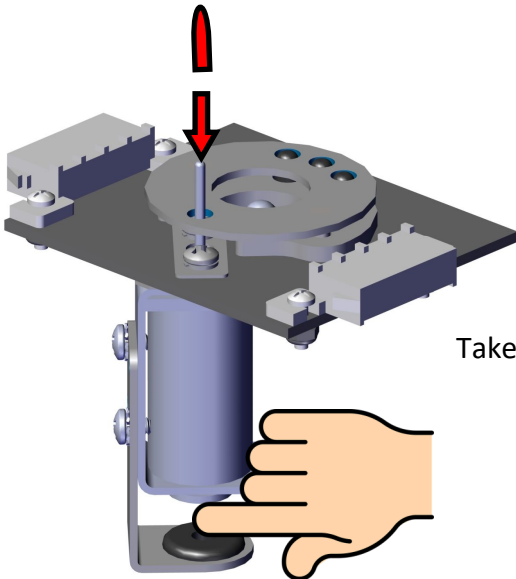


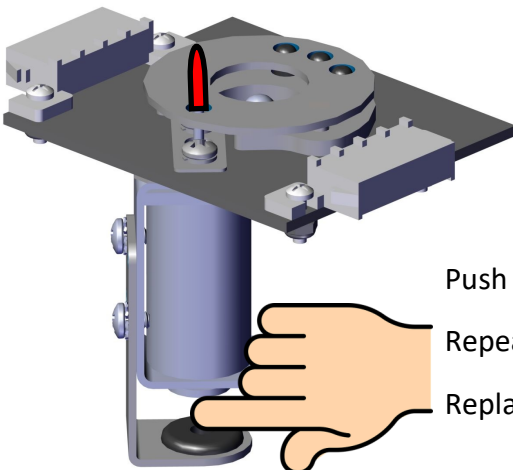
## How to install the Rubber Tip Update



Insert your finger or partner's finger under the plunger and push up on the plunger.



Take one Rubber Tip, and push this onto the top of the plunger.



Push the rubber all the way onto the solenoid plunger.

Repeat this for all the plungers.

Replace all balls that were damaged by the metal plunger.