

+

D

C

B

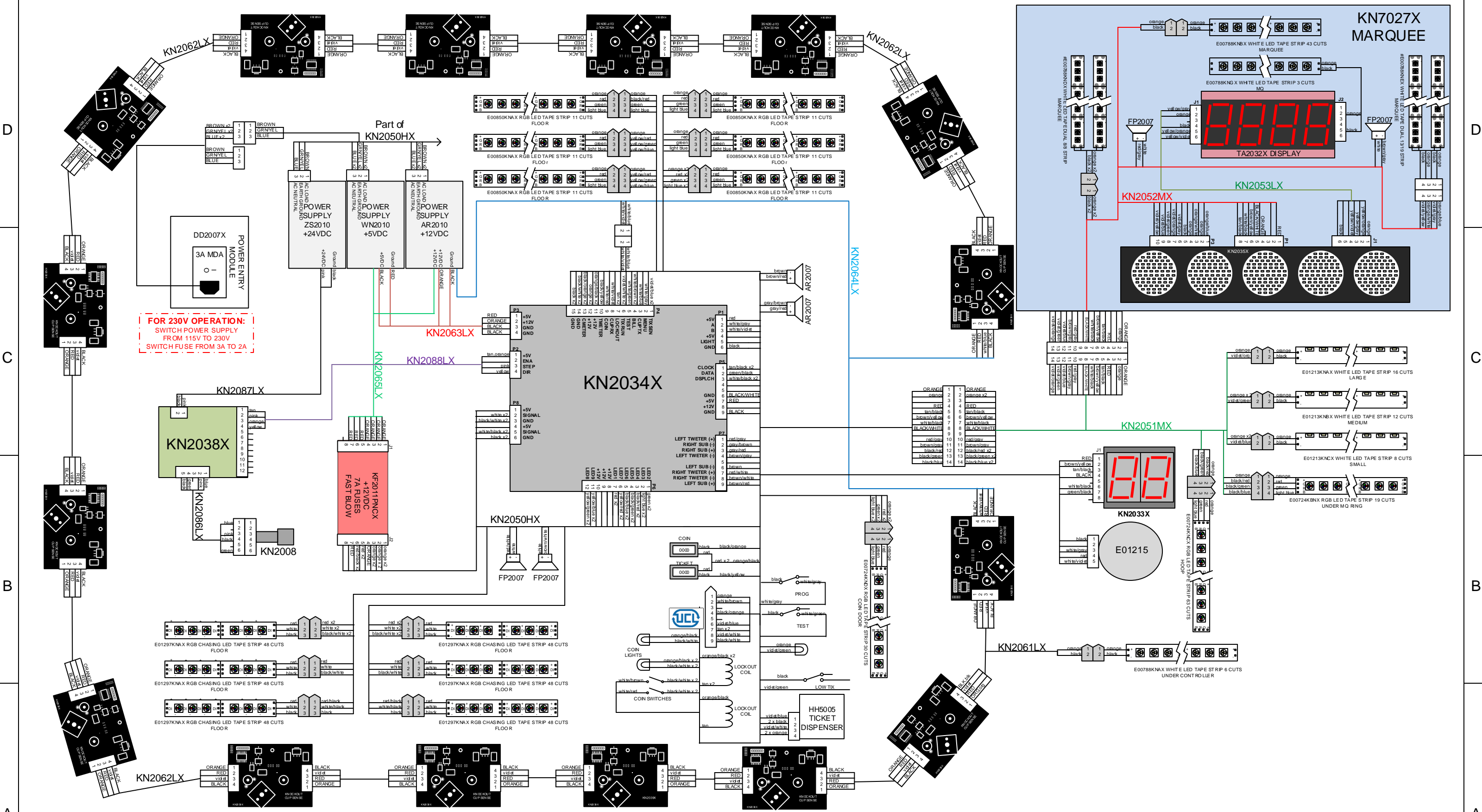
A

D

C

B

A



PART NO.	KN1000X	TITLE	SCREWBALL	REQUIRED SIGNATURES
DESCRIPTION	SYSTEM SCHEMATIC REV 1	SYSTEM		ENGINEER
		FILENAME	SCHEMATIC.VSD	
DATE	12/3/07	DRAWN BY	IPEACOCK	MANAGER
REVISED	5/8/17	PAGE	1 OF 1	VENDOR

KN2039X