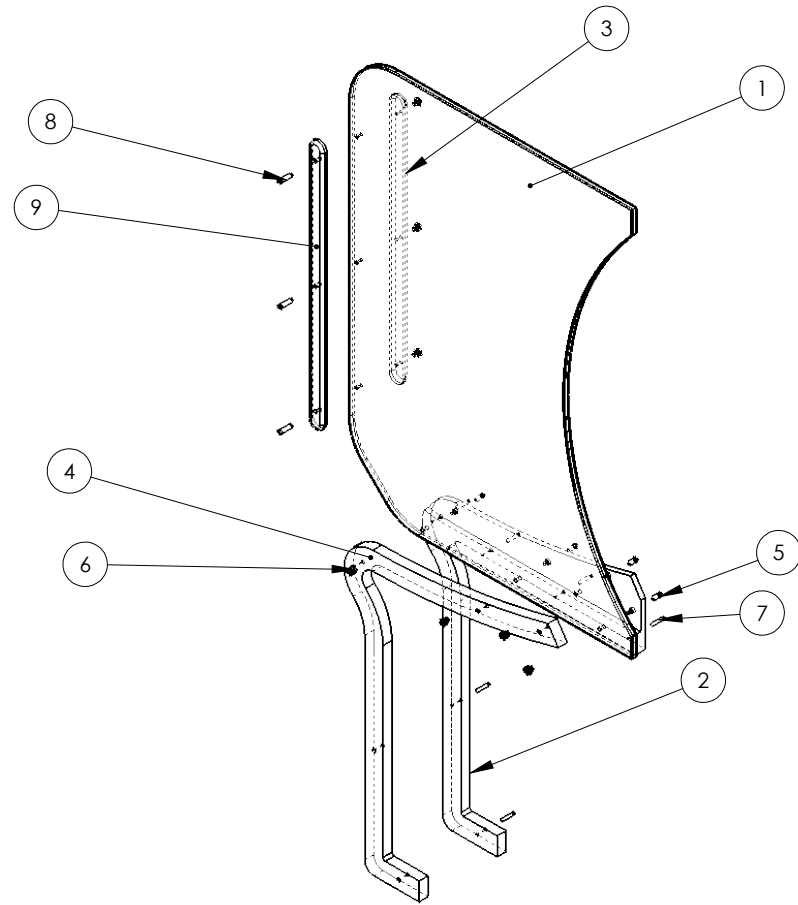



ITEM NO.	PART NUMBER	DESCRIPTION	QTY.
1	GF3314	GF DIVIDER	1
2	GF3306	SPACER	1
3	NB3115	DIVIDER BUMPER LT	1
4	GF3250	SPACER	1
5	AA6718	1/4-20 X 3/4 BSHCS (BLACK SCREW)	4
6	6444	1/4-20 x 15/32 JOINT CONNECTOR	7
7	AA6166	#6 DRYWALL SCREW 1- 1/2"	6
8	AA6211	1/4-20 X 1-1/4 BSHCS (BLACK)	3
9	NB3116	DIVIDER BUMPER RT	1



**NOTES:**

1. DEBURR ALL SHARP EDGES AND BREAK ALL SHARP CORNERS.
2. ALL BENDS MIN. RADIUS UNLESS SPECIFIED

<p>THIS DOCUMENT IS PROPERTY OF I.C.E. AND IS CONSIDERED PROPRIETARY AND CONFIDENTIAL. NO REPRODUCTION OR DISCLOSURE OF THIS DOCUMENT SHALL BE MADE AND THIS DOCUMENT SHALL BE RETURNED INTACT UPON REQUEST.</p>	REV.	DESCRIPTION	ECN#	BY	DATE	
	 <b>INNOVATIVE CONCEPTS IN ENTERTAINMENT</b> 10123 Main Street Clarence, NY 14031 Research & Development: FAX. (716) 759-7907 TEL. (716) 759-0370					
	DEBURR EDGES, NO TOOL MARKS ON VISIBLE AREAS INSIDE RADIUS- ROUTERED CORNERS 1/4" RAD. THREE PLACE DECIMALS ±0.015 TWO PLACE DECIMALS ±0.030 ONE PLACE DECIMALS ±0.060 ANGULAR - BENDS ± 2°	TITLE: GF DIVIDER PART NO.: GF3314X		MODEL REV: 1		
	FINISH: NONE MATERIAL:	DESIGN: MA 5/29/2020 DRAWN: MA 5/29/2020 SCALE: 1:24 TO 'A' SIZE	DWG. NO.: GF3314X 1 of 1		DWG. REV:	