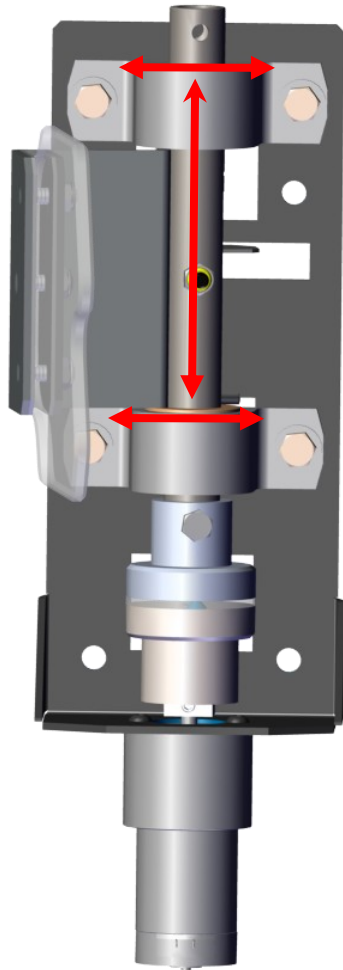
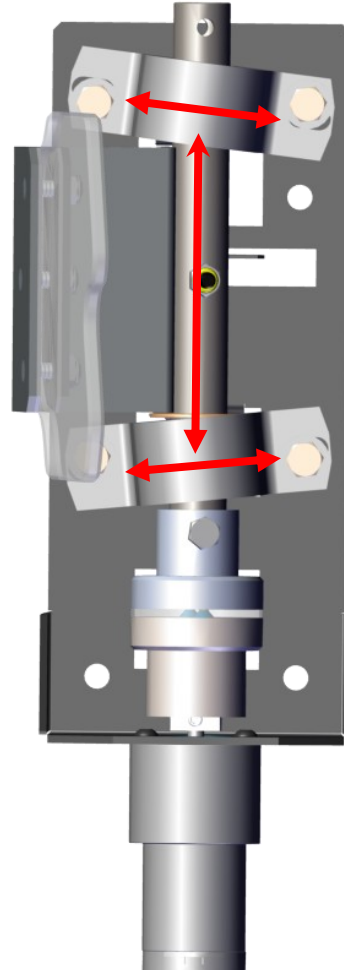


Shaft must be square to each bearing.
Bearings cannot be angled by any degree.



GOOD



BAD

When shaft is square to the bearings it will swing with ease. Any binding will restrict the shaft not allowing the magnet hub to move upper assembly.
Be sure bearings are lubed.

