



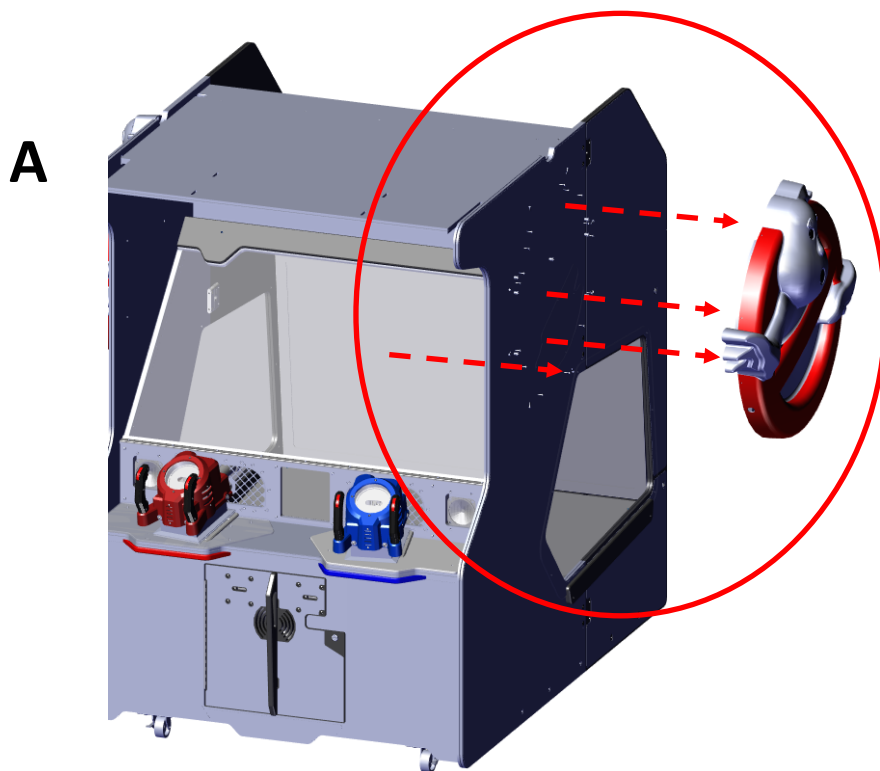
GB1200X QUICK SET-UP GUIDE

Hardware

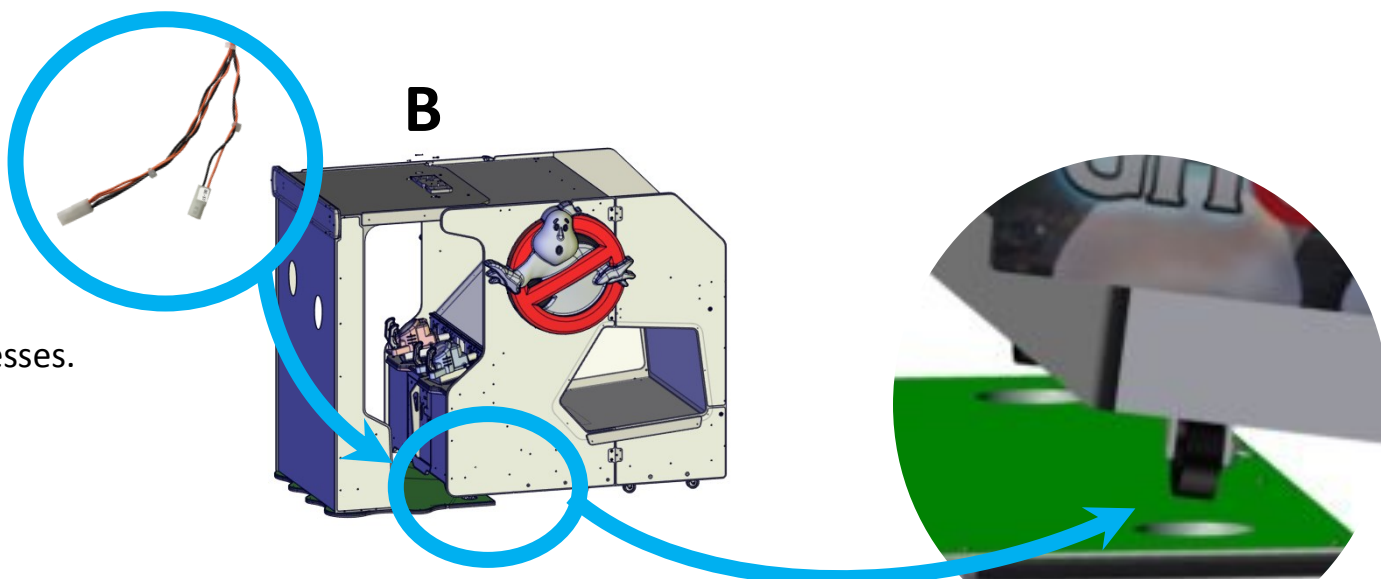
| | | |
|--------|-----------------------------------|--------|
| AA6220 | 1/4-20 X 1-3/4 BSHCS (BLACK) | QTY 16 |
| AA6212 | 1/4 X 3/4 FLAT WASHER BLACK (USS) | QTY 16 |

Step 1:

A) Attach the Side Ghostbusters Vacuum Form with 4 of the AA6220 screws and AA6212 washers. The screws will go from the inside of the cabinet and thread into inserts mounted to the back of the Sign.



B) Lift main cabinet up slightly at the front onto the bench platform and lower the main cabinet into the holes at the base of the bench. Be careful not to damage the LED harnesses. Plug the LED harnesses in.



Step 2:

Secure the top of the cabinet together with 4 screws (AA6220) AND 4 washers (AA6212) provided (do this from inside the cabinet) Secure the Stay Pufft Marquee onto the top of the cabinet after the bench is joined.

Step 3:

Connect the Marquee and the Green LED's to the extension harness. 3 places.

