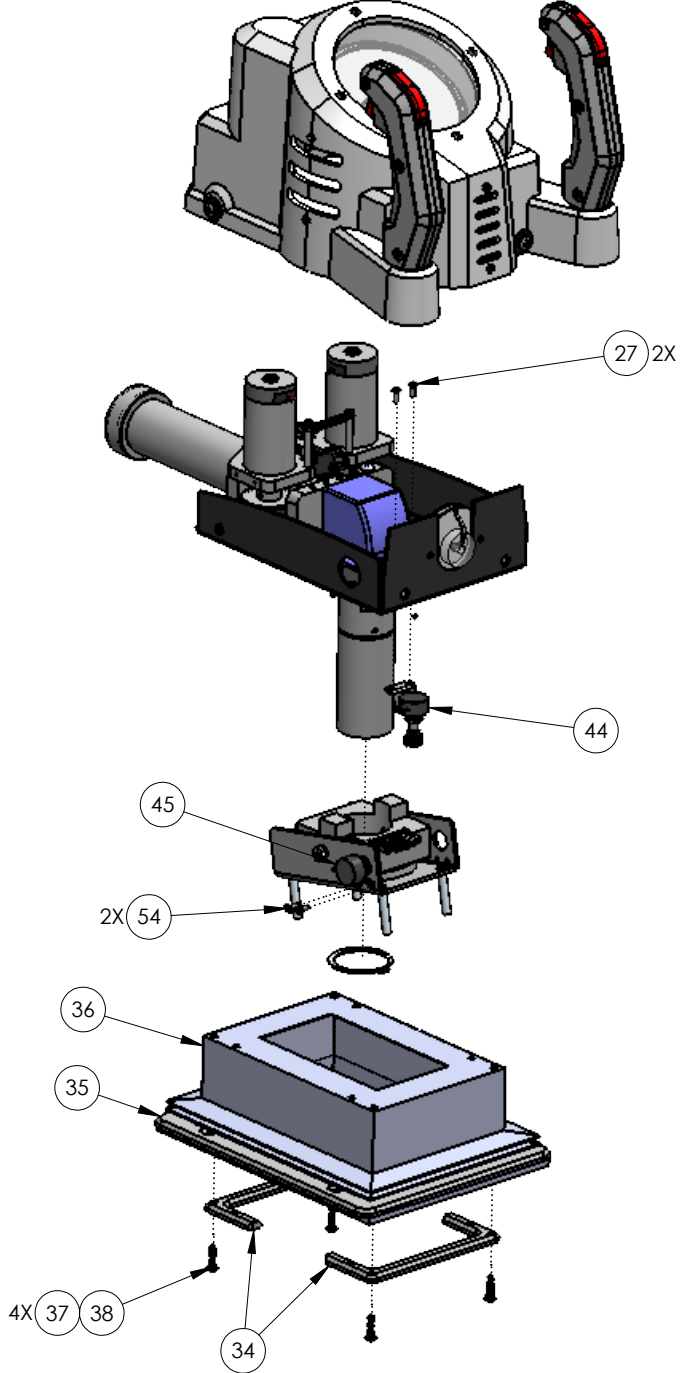
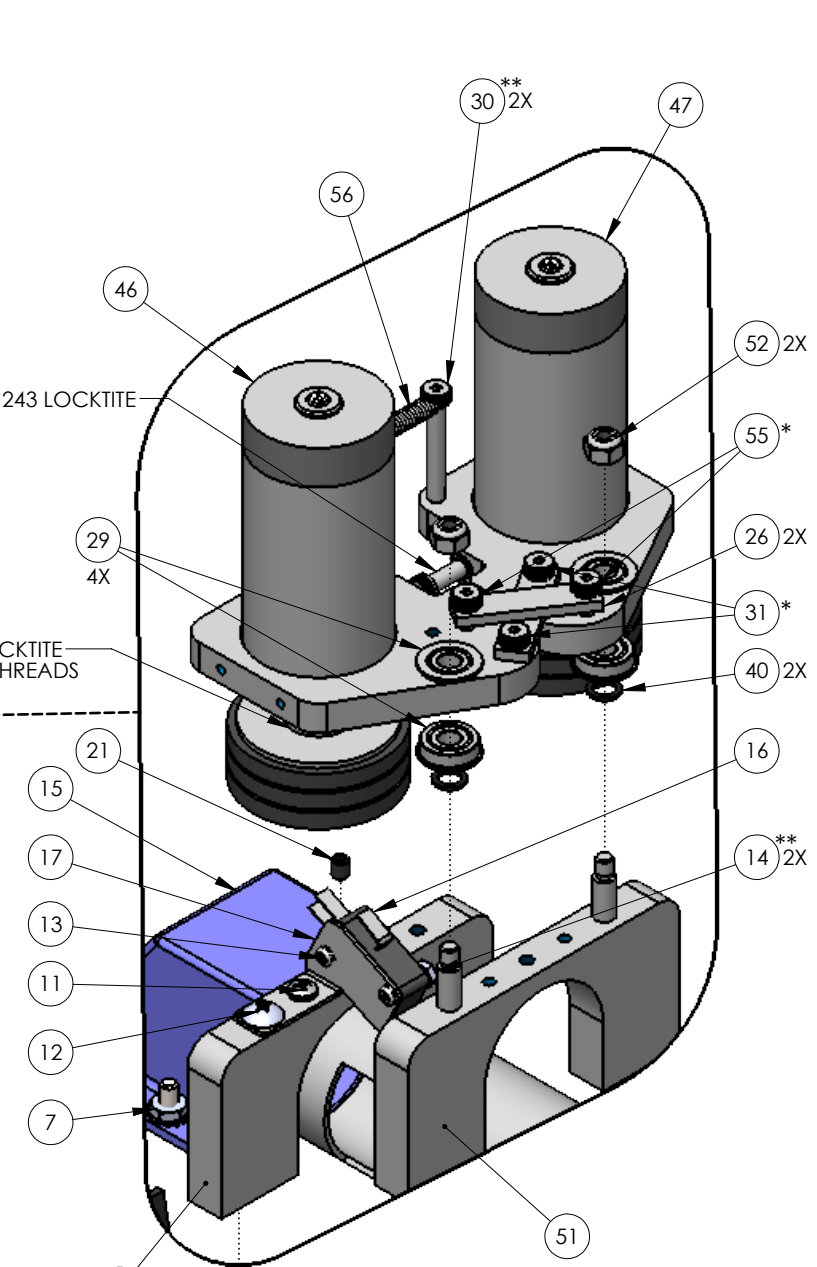
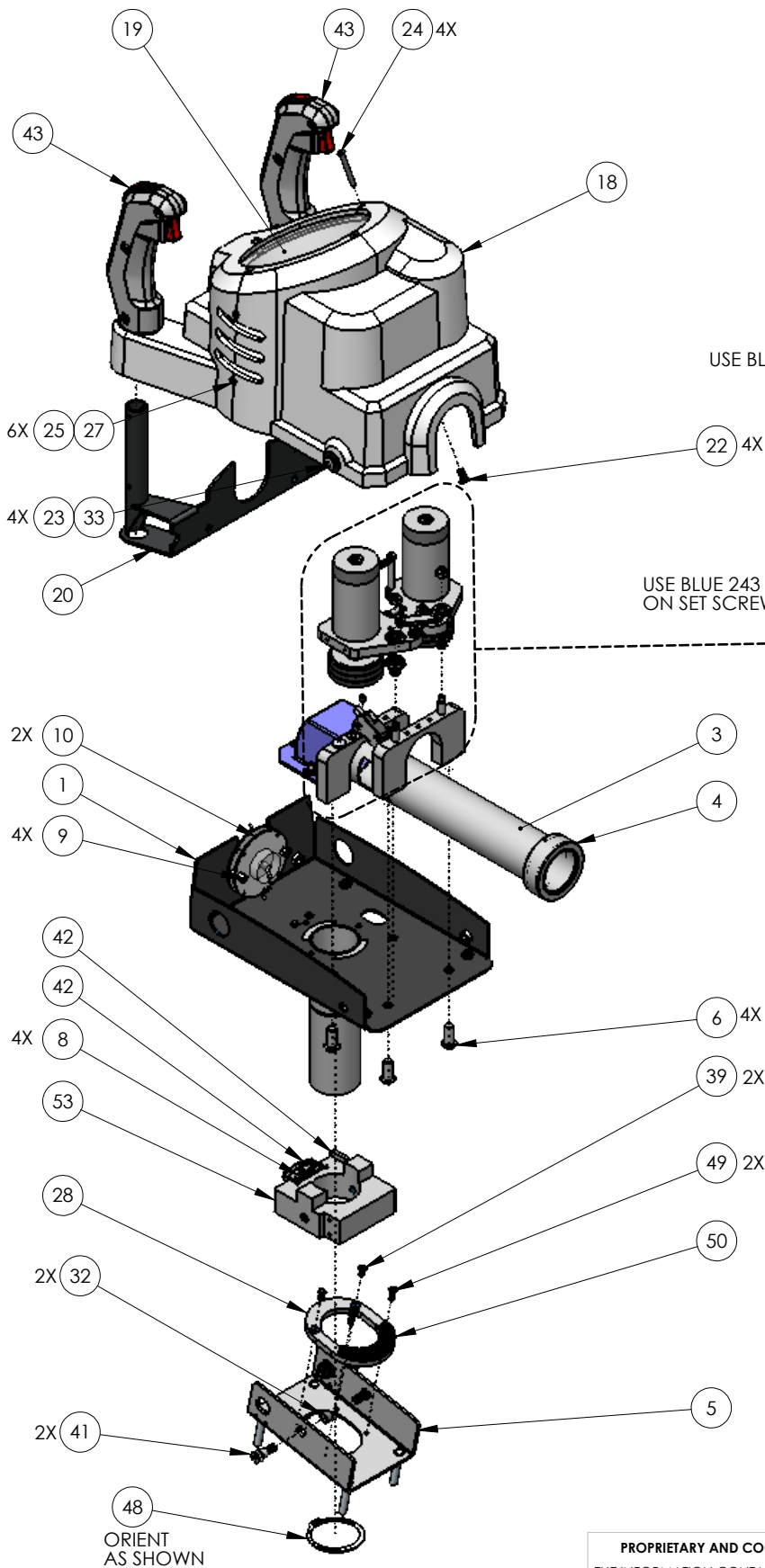


ITEM NO.	PART NUMBER	DESCRIPTION	QTY.
1	GB1011	BALL SHOOTING HOUSING	1
2	GB1054	BARREL CLAMP	1
3	GB1008	BALL SHOOTER TUBING	1
4	GB1055	BARREL END	1
5	GB1030	SHOOTER SWIVEL PLATE	1
6	6001	5/16-18 X 3/4" LG. BSHCS	4
7	6040	10-24 KEP NUT	3
8	6308	8-32 X 3/8 PHMS	4
9	pc60643	6-32 X 1/4 HH SPACER	4
10	E00668	LED CLUSTER	2
11	6005	8-32 X 1/4 PHMS	1
12	AA6710	10-32 X 3/8" PTHMS	1
13	6339	4-40 X 5/8 PPHMS	2
14	674	#4-40 KEP NUT	2
15	GB3024	BALL DEFLECTOR	1
16	8452	MICROSWITCH	1
17	GB1036	SWITCH BRKT	1
18	GB3001	SHOOTER COVER	1
19	GB3107X	LED DISC AND COVER ASM	1
20	GB1038	HANDLE BRKT.	1
21	6344	SET SCREW CUP SKT 0.19-32x0.25-HX-N	1
22	AA6662	8-32 CAB INSERT (J-50111)	4
23	6212	1/4 X 3/4 FLAT WASHER BLACK (USS)	4
24	6272	BHCS #8-32 X 1.25" LG. (BLACK OXIDE)	4
25	SK624	6-32 KEP NUT	6
26	GB1029	LINK ARM	2
27	6311	6-32 X .375 LONG (BLACK)	8
28	GB3145	SHOOTER STOP	1
29	GB1075	1/4" X 5/8" FLANGED BEARING	4
30	AA6335	8-32 X 1-1/4 (3/16 OD) SHOULDER	2
31	AA6941	8-32 X 5/32 SHOULDER BOLT	2
32	GB1076	3/8 X 1/4 BRONZE SLEEVE BEARING	2
33	AA6718	1/4-20 X 3/4 BSHCS BLACK	4
34	GB3156	BELLOW TOP BRKT	2
35	GB3155	BELLOW BTM BRKT	1
36	GB4005	BELLOWS	1
37	6004a	8-32 KEP NUT	4
38	AA6869	8-32 X 3/4 CARRIAGE BOLT BLACK SMALL HEAD	4
39	AA6860	8-32 X 3/8 PFHMS THREAD CUTTING	2
40	AA6949	SHIM COPPER .045 THK 1/4 ID 3/8 OD	2
41	AA6940	1/4-20 X 7/16 SHOULDER 5/16 OD X 5/16	2
42	GB1071	GEAR	2
43	GB2006	GRIP	2
44	GB1020X	POT LEFT, RIGHT ASM	1
45	GB1027X	POT UP, DOWN ASM	1
46	GB2008RX	SHOOTER MOTOR ASM, RIGHT	1
47	GB2008LX	SHOOTER MOTOR ASM, LEFT	1
48	AA6944	C-CLIP 1-13/16	1
49	AA6595	8-32 X 1/2 PFHMS	2
50	GB4004	SHOOTER BUMPER	1
51	GB1090	BARREL CLAMP ASSEMBLY	1
52	PC60640	#10-32 NYLOCK NUT	2
53	GB1053	SHOOTER PIVOT BLOCK	1
54	AA6183	6-32 X 3/8 PPHMS SS	2
55	AA6962	SHOULDER BOLT 8-32 X 9/32	2
56	GB1077	SPRING	1



* USE BLUE 243 LOCKTITE ON THREADS
 ** USE RED 263 LOCKTITE ON THREADS

ORIENT AS SHOWN

PROPRIETARY AND CONFIDENTIAL
 THE INFORMATION CONTAINED IN THIS DRAWING IS THE SOLE PROPERTY OF <INSERT COMPANY NAME HERE>. ANY REPRODUCTION IN PART OR AS A WHOLE WITHOUT THE WRITTEN PERMISSION OF <INSERT COMPANY NAME HERE> IS PROHIBITED.

		UNLESS OTHERWISE SPECIFIED:	NAME	DATE
		DIMENSIONS ARE IN INCHES TOLERANCES: FRACTIONAL ± ANGULAR: MACH ± BEND ± TWO PLACE DECIMAL ± THREE PLACE DECIMAL ±	DRAWN	
		INTERPRET GEOMETRIC TOLERANCING PER:	CHECKED	
		MATERIAL	ENG APPR.	
NEXT ASSY	USED ON	FINISH	MFG APPR.	
APPLICATION		DO NOT SCALE DRAWING	Q.A.	
			COMMENTS:	

TITLE: SHOOTER ASSEMBLY		
SIZE B	DWG. NO. GB1011X	REV 05
SCALE: 1:8 WEIGHT:		SHEET 1 OF 1